

PARTS CATALOGUE



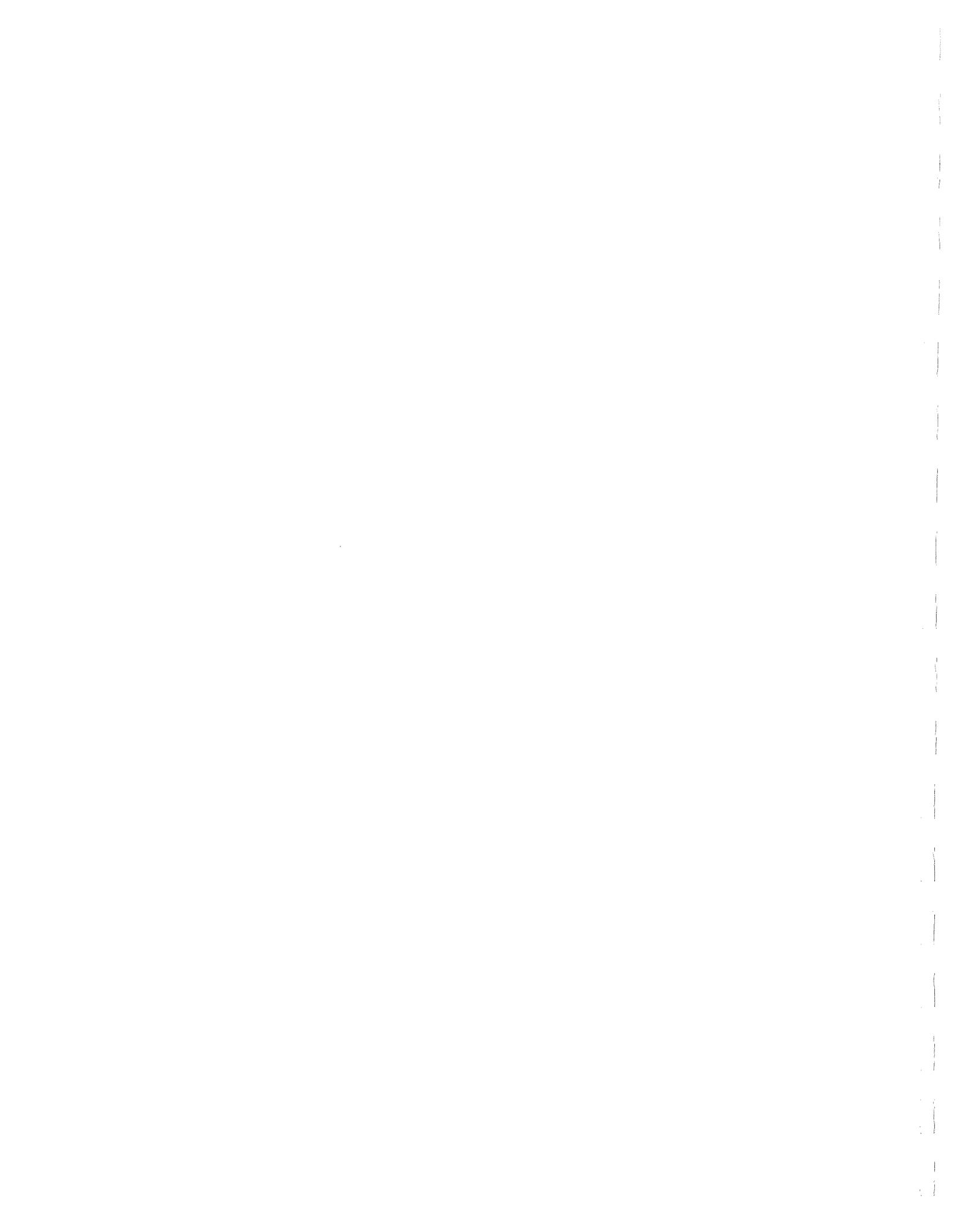
MODEL

SV510D-II

SV510T-II

SV510TF-II

SAKAI[®]



No. 3498-19930-B

MODEL

SV510D-II

SV510T-II

SV510TF-II

ENGINE Isuzu 6BG1T
VIBRATING ROLLER

Serial No. 30101~

SAKAI®

**SV510-II
Isuzu 6BG1T
(Serial Numbers Begin with 3-----)**

Air Cleaner

Inner Element	4418-53002-1
Outer Element	4418-53001-1

Hydraulic System

Filler Screen	4204-54000-0
Suction Screen	4207-79000-0
Element Vibration	4211-41001-1
Element Drive	4211-41001-1

Fuel System

Filler Strainer	4203-59000-0
Sedimenter	4031-62002-0
Element	113240-0791

Engine Oil

Oil Filter Primary	4021-20003-1
Oil Filter Bypass	4021-20004-1

GUIDE FOR USE OF PARTS CATALOGUE

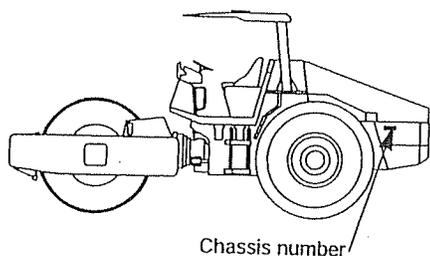
1. This parts catalogue contains entire range of the service of the SV510D, SV510T, SV510TF VIBRATING ROLLERS.

For the ENGINE (Isuzu 6BG1T), see the parts catalogue compiled separately.

2. Quote the following when placing an order for parts.

- (1) Vehicle model
- (2) Chassis number
- (3) Part number
- (4) Part name
- (5) Quantity of required parts.

The vehicle model and chassis number are engraved on the identification plate and chassis number is also punched on the frame.



Chassis number	
Model	SV510D-II --> BSV16 -00000
	SV510T-II --> BSV16 -00000
	SV510TF-II --> BSV16 -00000
	┌───┐ │ number │ └───┘
	Chassis number

3. The chassis number to which parts are applicable are described in the remarks column as follows.
~No. 30007: Applicable up to 30007
No.30008~: Applicable from 30008
4. Each quantity shown in the quantity column is in principal one applied to a unit of vehicle.
However, each quantity as related to ASSEMBLY PARTS indicates one included in a single unit of assembly.
5. The following abbreviated words are used in this parts catalogue.
LH : Lefthand viewed from behind of vehicle.
RH : Righthand viewed from behind of vehicle.
Inc.O~O : Key number of parts constituting an assembly
OP : Option
N/S : Parts not to be supplied by a signal piece
A/S : Parts to be supplied as an assembly composed or a kit of parts
AR : As required
Dom. : For use in Japan
Exp. : For use in countries other than Japan
*SEEPAGE O O : See page O O for component parts.
6. Part with "(cf. O)" in the remarks column indicates that it is supplied as an assembly represented by the key number O with which "cf." is attached. Quote the part number that follows the key number O when ordering.
7. Part number with a mark "*" indicate that they have been corrected to the ones listed just below them. Quote the renewed part numbers when ordering.
8. Parts are subject to change without notice.

CONTENTS

Group name (Description)	SV510D	SV510T	SV510TF	Page
Engine System.....				
Engine Mounting.....	O	O	O	1
Fuel System.....	O	O	O	2
Cooling System.....	O	O	O	3
Intake System.....	O	O	O	4
Exhaust System.....	O	O	O	5
Control System				
Control System (Throttle).....	O	O	O	6
Control System (Reversing).....	O	O	O	7
Brake System.....	O	O	O	8
Steering System				
Steering Hydraulic System.....	O	O	O	9
Steering System (Cylinder).....	O	O	O	10
Steering System (Wheel).....	O	O	O	11
Hydraulic System				
Hydraulic System (Pump Mounting).....	O	O	O	12
Hydraulic System (Front Drive).....	O	O	O	13
Hydraulic System (Rear Drive1).....	O	O	O	14
Hydraulic System (Rear Drive2).....	O	O	O	15
Hydraulic System (Vibrating).....	O	O	O	16
Vibrating Roll.....	O			17
Vibrating Roll.....		O		18
Vibrating Roll.....			O	19
Rear Axle.....	O	O	O	20
Frame				
Front Frame.....	O			21
Front Frame.....		O	O	22
Rear Frame.....	O	O	O	23
Frame (Center Pin).....	O	O	O	24

Group name (Description)

SV510D

SV510T

SV510TF

Page

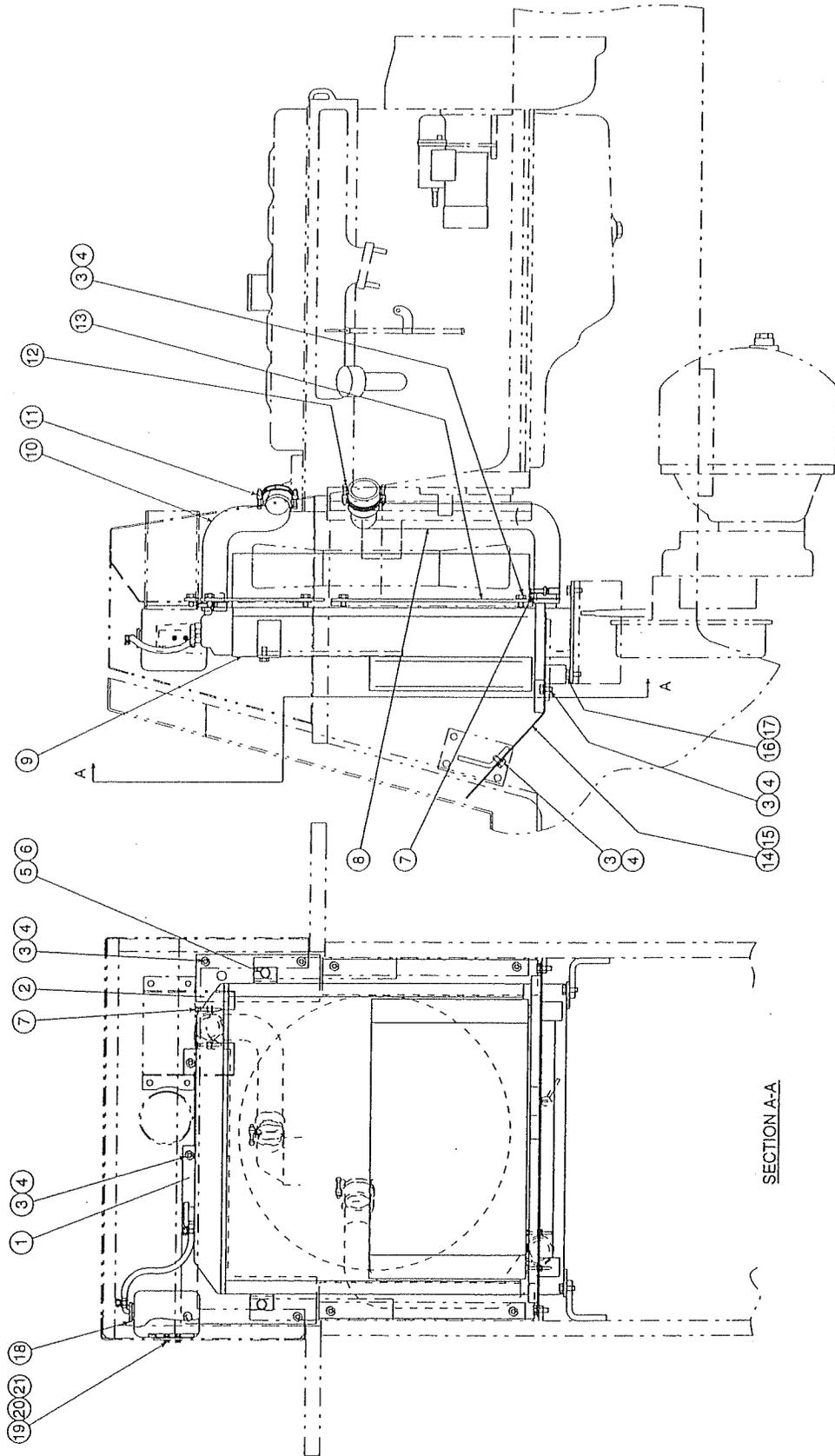
Seat	<input type="radio"/>	<input type="radio"/>	<input type="radio"/>	26
Scraper System	<input type="radio"/>	<input type="radio"/>	<input type="radio"/>	27
Scraper System	<input type="radio"/>	<input type="radio"/>	<input type="radio"/>	28
Scraper System	<input type="radio"/>	<input type="radio"/>	<input type="radio"/>	29
Electrical Equipment				
Electrical Equipment (Panel)	<input type="radio"/>	<input type="radio"/>	<input type="radio"/>	30
Electrical Equipment (Battery)	<input type="radio"/>	<input type="radio"/>	<input type="radio"/>	31
Wiring Harness				32
Leveling Blade				33
Leveling Blade Hoses - I				34
Leveling Blade Hoses - II				35

FUEL SYSTEM

Key No.	Parts No.	Parts Name	Qty	Remarks
39	2170-10020-0	WASHER	2	
40	2100-08025-1	BOLT	2	
41	2170-08016-0	WASHER	2	
42	2171-08020-0	SPRING WASHER	2	
43	2120-08065-0	NUT	2	
44	2291-00016-0	HOSE CLAMP	2	
45	4029-77007-0	SEDIMENTER	1	
46	2100-08020-1	BOLT	2	
47	2171-08020-0	SPRINGWASHER	2	
48	2291-00016-0	HOSE CLAMP	1	
49	3292-10041-0	HOSE NIPPLE	1	R1/4X10.5
50	4418-98000-0	FILTER	1	
51	3201-20008-0	BARREL NIPPLE	1	R1/4XR1/4
52	1412-02003-0	BRACKET	1	
53	3292-10041-0	HOSE NIPPLE	1	R1/4X10.5
54	2291-00016-0	HOSE CLAMP	1	
55	2293-09060-5	HOSE	1	L=800

- MEMO -

冷却装置 COOLING SYSTEM

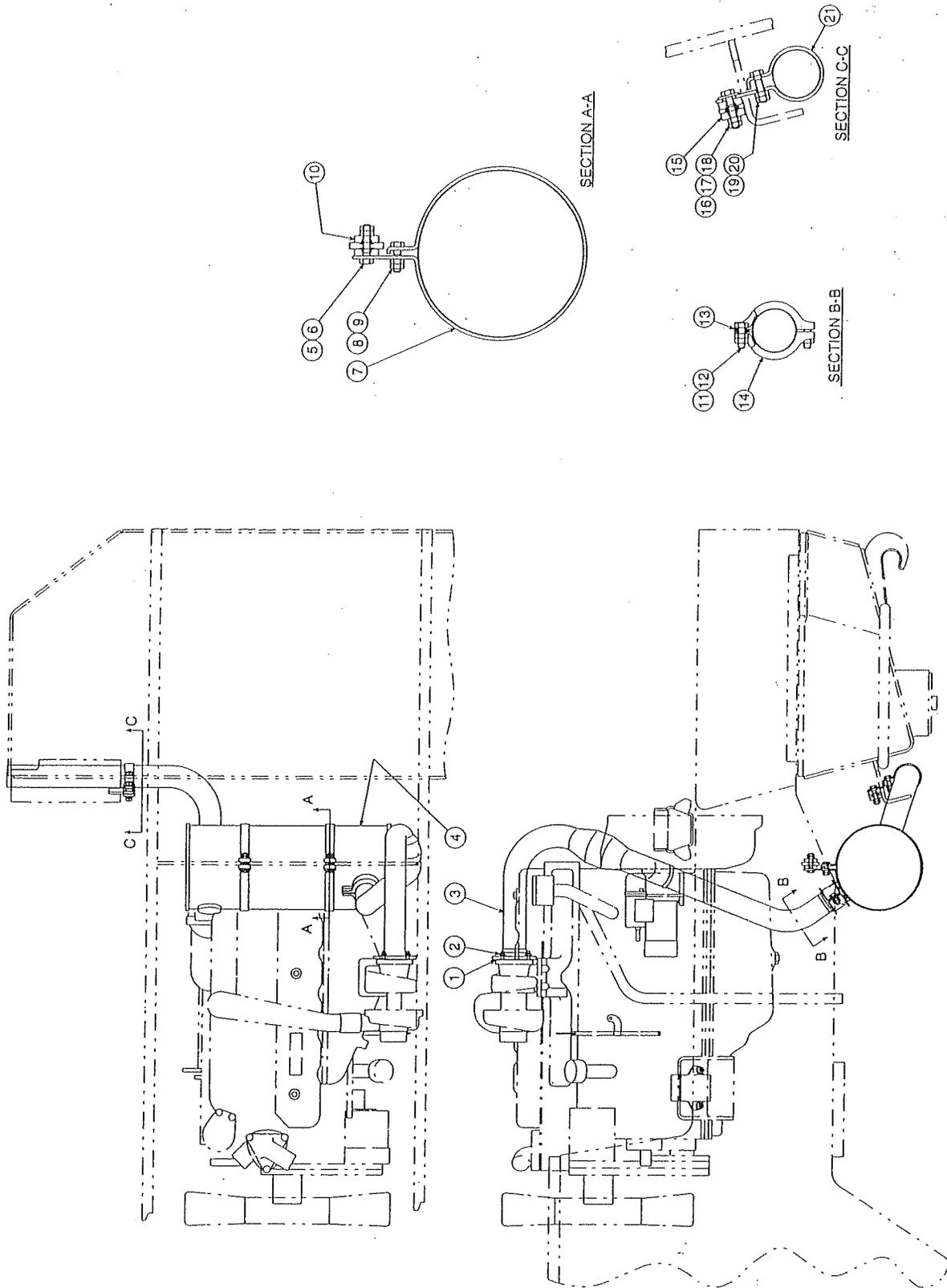


COOLING SYSTEM

Key No.	Parts No.	Parts Name	Qty	Remarks
1	1402-03011-0	RUBBER		
2	1402-03012-0	RUBBER	1	
3	2100-10020-1	BOLT	17	
4	2170-10030-1	WASHER	17	
5	2100-10025-1	BOLT	2	
6	2170-10020-0	WASHER	2	
7	2291-00055-0	HOSE CLAMP	4	
8	1402-03009-0	HOSE CLAMP	1	
9	4030-65000-0	RADIATOR	1	
10	1402-03010-0	HOSE	1	
11	2291-00065-0	HOSE CLAMP	2	
12	2291-00071-0	HOSE CLAMP	2	
13	1402-03013-0	RUBBER	2	
14	1402-03014-0	COVER	1	
15	1402-03015-0	COVER	1	
16	2100-10025-1	BOLT	4	
17	2170-10020-0	WASHER	4	
18	4416-88000-0	RESERVOIR	1	
19	2100-06014-1	BOLT	2	
20	2170-06016-0	WASHER	4	
21	2120-06050-0	NUT	2	
22	4411-91003-0	RADIATOR CAP	1	

0402-03801-0-10011-0

排气装置 EXHAUST SYSTEM

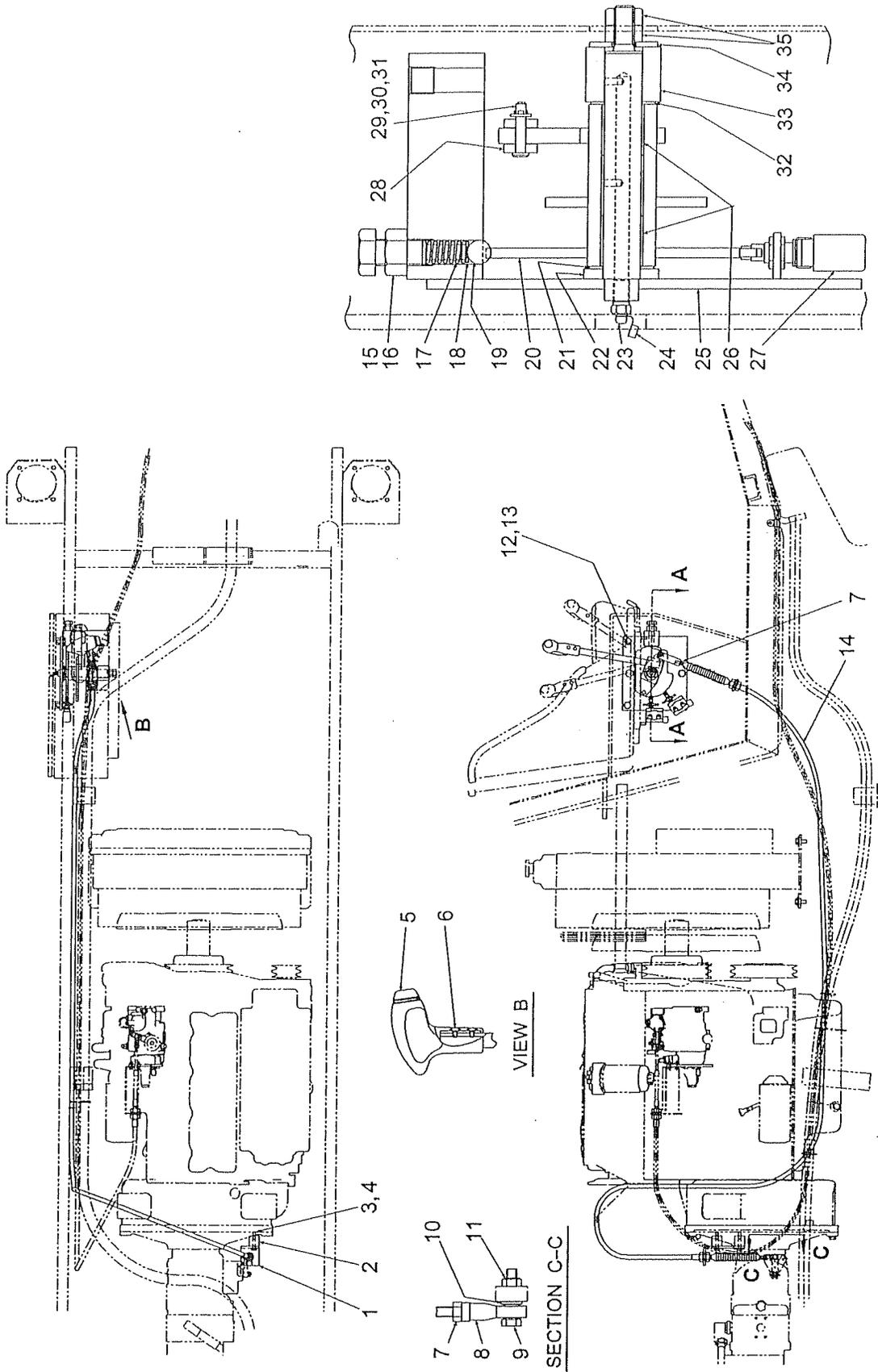


EXHAUST SYSTEM

Key No.	Parts No.	Parts Name	Qty	Remarks
1	4030-67001-0	GASKET	1	
2	4029-89005-0	NUT	4	
3	4417-02000-0	PIPE	1	
4	4417-01000-0	MUFFLER	1	
5	2100-10050-1	BOLT	2	
6	2120-10080-0	NUT	4	
7	3416-16123-0	CLAMP	2	
8	2100-10060-1	BOLT	2	
9	2120-10080-0	NUT	4	
10	3460-05002-0	RUBBER ISOLATOR	4	
11	2120-10080-0	NUT	4	
12	2100-10030-1	BOLT	2	
13	2170-10020-0	WASHER	2	
14	4710-92000-0	CLAMP	2	
15	3460-05002-0	RUBBER ISOLATOR	2	
16	2100-10050-1	BOLT	1	
17	2170-10030-1	WASHER	1	
18	2120-10080-0	NUT	2	
19	2100-10040-1	BOLT	1	
20	2120-10080-0	NUT	2	
21	3416-02099-0	CLAMP	1	

0403-05801-0-10005-A

コントロール関係 (前後進) CONTROL SYSTEM (REVERSING)



SECTION A-A

SECTION C-C

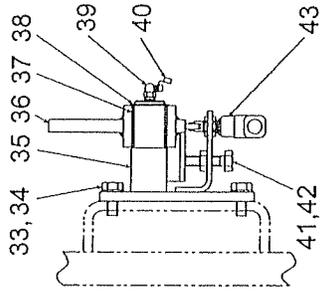
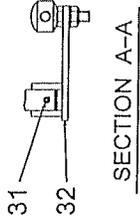
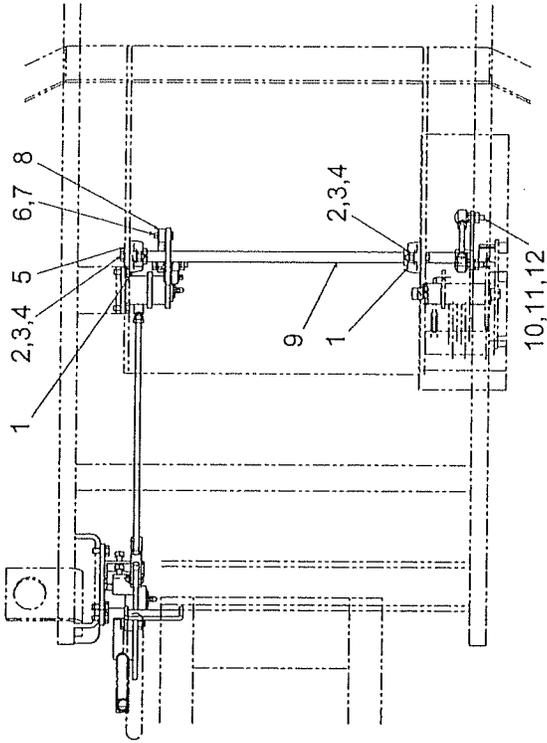
VIEW B

CONTROL SYSTEM (REVERSING)

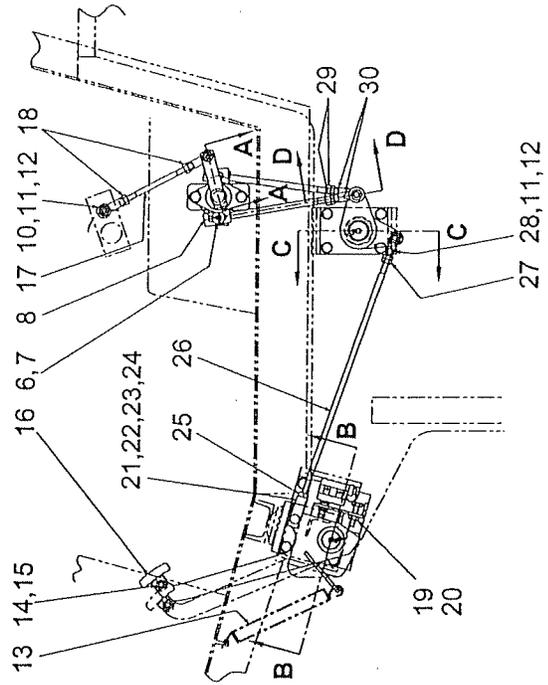
Key No.	Parts No.	Parts Name	Qty	Remarks
1	1402-12014-0	BRACKET	1	
2	3931-04253-0	SPACER	2	
3	2100-08050-1	BOLT	2	
4	2170-08016-0	WASHER	2	
5	4416-56000-1	GRIP	1	
6	3180-20023-0	SCREW	2	
7	2120-06050-0	NUT	2	
8	2405-06030-0	ROD END	1	
9	2100-06030-1	BOLT	1	
10	2170-06016-0	WASHER	1	
11	3120-00070-0	NUT	1	
12	2100-10020-1	BOLT	3	
13	2170-10020-0	WASHER	3	
14	3400-33020-0	CABLE	1	INC.7
15	2100-16030-1	BOLT	1	
16	2120-16130-0	NUT	1	
17	3910-21001-0	SPRING	1	
18	2170-06016-0	WASHER	1	
19	2598-18000-0	STEEL BALL	1	
20	1402-12017-0	LEVER	1	
21	1400-12037-0	WASHER	1	
22	2170-22060-2	WASHER	1	
23	2472-01001-0	GREASE NIPPLE	1	
24	4703-14000-0	CAP	1	
25	1402-12010-0	BRACKET	1	
26	2580-22030-1	BUSH	2	
27	3823-20004-0	MICRO SWITCH	2	
28	3403-01017-0	CLEVIS	1	
29	2156-06030-0	PIN	1	
30	2170-06016-0	WASHER	1	
31	2157-20015-0	SPLIT PIN	1	
32	1400-12037-0	WASHER	1	
33	1411-12006-0	COLLAR	1	
34	2170-12030-1	WASHER	1	
35	2120-12100-0	NUT	2	

0411-12803-0-10068-0

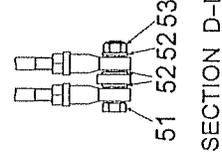
制動裝置 BRAKE SYSTEM



SECTION B-B



SECTION C-C



BRAKE SYSTEM

Key No.	Parts No.	Parts Name	Qty	Remarks
1	2552-00204-0	BEARING UNIT	2	
2	2100-10040-1	BOLT	4	
3	2170-10020-0	WASHER	4	
4	2120-10080-0	NUT	4	
5	1402-51023-0	COVER	1	
6	2170-10020-0	WASHER	2	
7	2157-30020-0	SPLIT PIN	2	
8	1402-51017-1	ROD	2	
9	1402-51016-0	SHAFT	1	
10	2404-10043-4	BALL JOINT	1	
11	3120-01073-0	NUT	3	
12	2170-10020-0	WASHER	3	
13	3910-03025-0	SPRING	1	
14	2100-10040-3	BOLT	1	
15	3120-01073-0	NUT	1	
16	2948-00002-0	PEDAL	1	
17	3942-10141-0	ROD	1	
18	2120-10080-0	NUT	2	
19	3100-02062-0	BOLT	1	
20	2120-10080-0	NUT	1	
21	2156-10030-0	PIN	1	
22	2170-10020-0	WASHER	1	
23	2157-30020-0	SPLIT PIN	1	
24	3403-14030-0	CLEVIS	1	
25	2120-10080-0	NUT	1	
26	3942-11160-1	ROD	1	
27	3120-01062-0	NUT	2	
28	2404-10043-5	BALL JOINT	1	
29	2120-12100-0	NUT	2	
30	2405-12050-0	ROD END	2	
31	2150-06032-0	SPRING PIN	1	
32	1402-51018-0	ARM	1	
33	2100-10025-1	BOLT	4	
34	2170-10020-0	WASHER	4	
35	1402-51012-1	BASE	1	
36	1402-51015-1	ARM	1	
37	2580-30040-1	BUSH	1	
38	2194-03015-0	RETAINING RING	1	

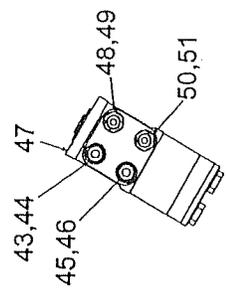
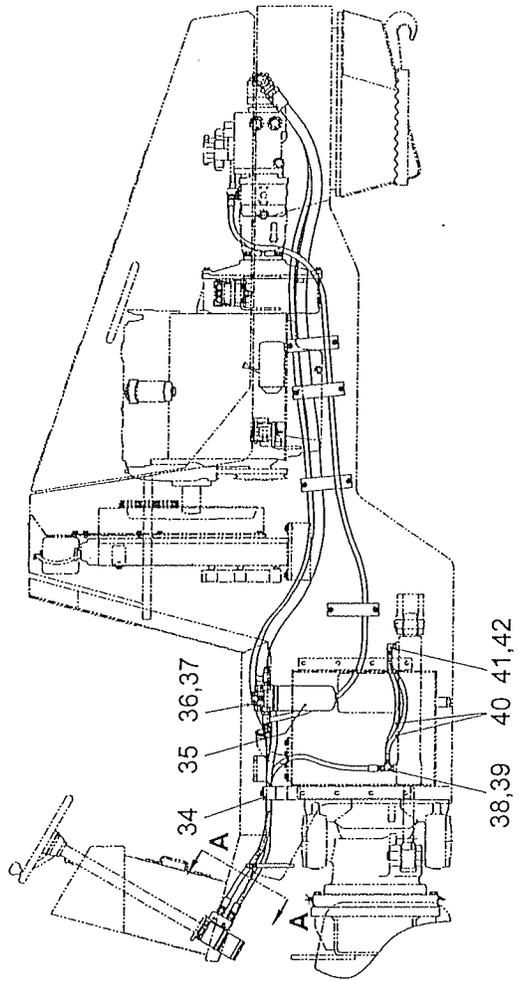
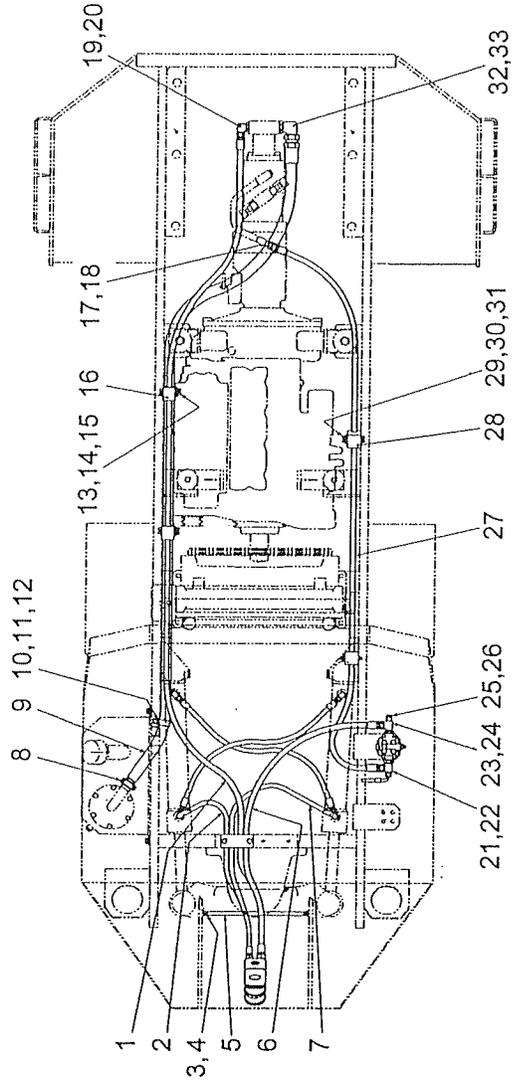
0411-51801-0-10045-0

BRAKE SYSTEM

Key No.	Parts No.	Parts Name	Qty	Remarks
39	2472-01003-0	GREASE NIPPLE	2	
40	4703-14000-0	CAP	2	
41	3100-02062-0	BOLT	1	
42	2120-10080-0	NUT	1	
43	3823-20004-0	MICRO SWITCH	1	
44	3931-10149-0	WASHER	1	
45	2194-03515-0	C-RETAINING RING	1	
46	2580-35040-1	BUSH	2	
47	1402-51014-0	ARM	1	
48	1402-51013-0	PIN	1	
49	2100-10025-1	BOLT	4	
50	2170-10020-0	WASHER	4	
51	2100-12060-1	BOLT	1	
52	2170-12025-0	WASHER	3	
53	3120-01095-0	NUT	1	

- MEMO -

操向油压装置 STEERING HYDRAULIC SYSTEM



SECTION A-A

STEERING HYDRAULIC SYSTEM

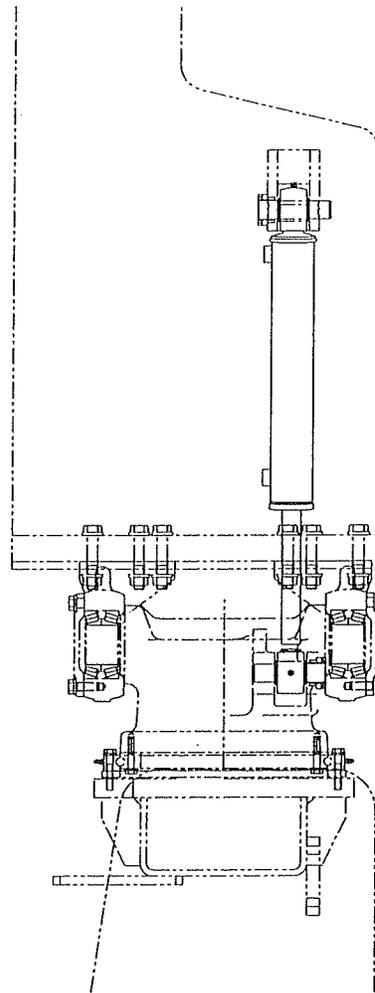
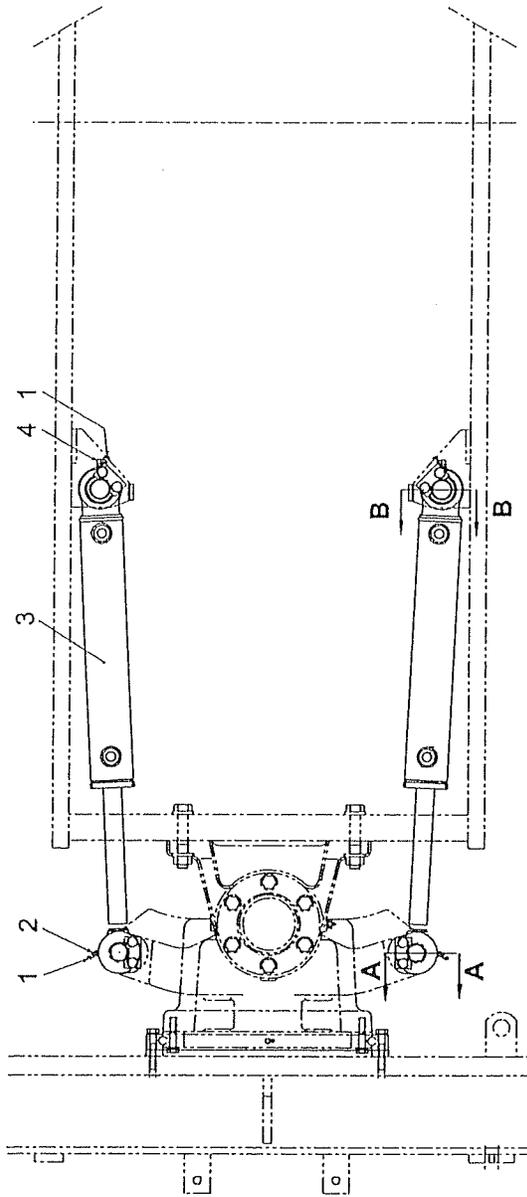
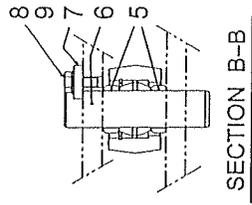
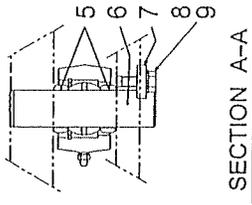
Key No.	Parts No.	Parts Name	Qty	Remarks
1	2301-12356-4	HOSE	1	
2	2301-11124-4	HOSE	1	
3	2100-08012-1	BOLT	2	
4	2170-08016-0	WASHER	2	
5	2891-00055-0	CORD	1	
6	2301-12150-1	HOSE	1	
7	2301-11137-4	HOSE	1	
8	3291-12013-0	CLAMP	2	
9	2300-16284-1	HOSE	1	
10	3416-02054-0	CLAMP	1	
11	2100-08012-1	BOLT	1	
12	2170-08016-0	WASHER	1	
13	1402-36010-0	STUD BOLT	4	
14	2170-10020-0	WASHER	4	
15	3120-01073-0	NUT	4	
16	1402-32011-0	CLAMP	2	
17	2265-04004-2	ADAPTER	1	INC. 18
18	2630-02018-0	O-RING	1	
19	3260-32022-0	ADAPTER	1	INC. 20
20	2630-02024-0	O-RING	1	
21	3260-31099-0	ADAPTER	1	INC. 22
22	2630-02024-0	O-RING	1	
23	3260-32121-0	ADAPTER	1	INC. 24
24	2630-02024-0	O-RING	1	
25	3215-21009-0	PLUG	1	INC. 26
26	2632-00006-0	O-RING	1	
27	2301-12284-1	HOSE	1	
28	1402-32010-0	CLAMP	2	
29	1402-36010-0	STUD BOLT	4	
30	2170-10020-0	WASHER	4	
31	3120-01073-0	NUT	4	
32	3260-32024-0	ADAPTER	1	
33	2630-02029-0	O-RING	1	
34	1402-32009-0	CLAMP	1	
35	4211-41000-0	FILTER	1	
36	2100-10025-1	BOLT	4	
37	2170-10020-0	WASHER	4	
38	3260-31034-0	TEE	2	INC. 39

0411-32802-0-10058-0

STEERING HYDRAULIC SYSTEM

Key No.	Parts No.	Parts Name	Qty	Remarks
39	2630-02014-0	O-RING	2	
40	2301-11086-4	HOSE	2	
41	2265-03003-3	ADAPTER	2	INC. 42
42	2630-02014-0	O-RING	2	
43	2264-19004-0	ADAPTER	1	INC. 44
44	2632-00008-0	O-RING	1	
45	2264-19004-0	ADAPTER	1	INC. 46
46	2632-00008-0	O-RING	1	
47	4216-46000-0	ORBITROL	1	
48	2264-19003-0	ADAPTER	1	INC. 49
49	2632-00008-0	O-RING	1	
50	2264-19003-0	ADAPTER	1	INC. 51
51	2632-00008-0	O-RING	1	

操向装置 (シリンダ) STEERING SYSTEM (CYLINDER)

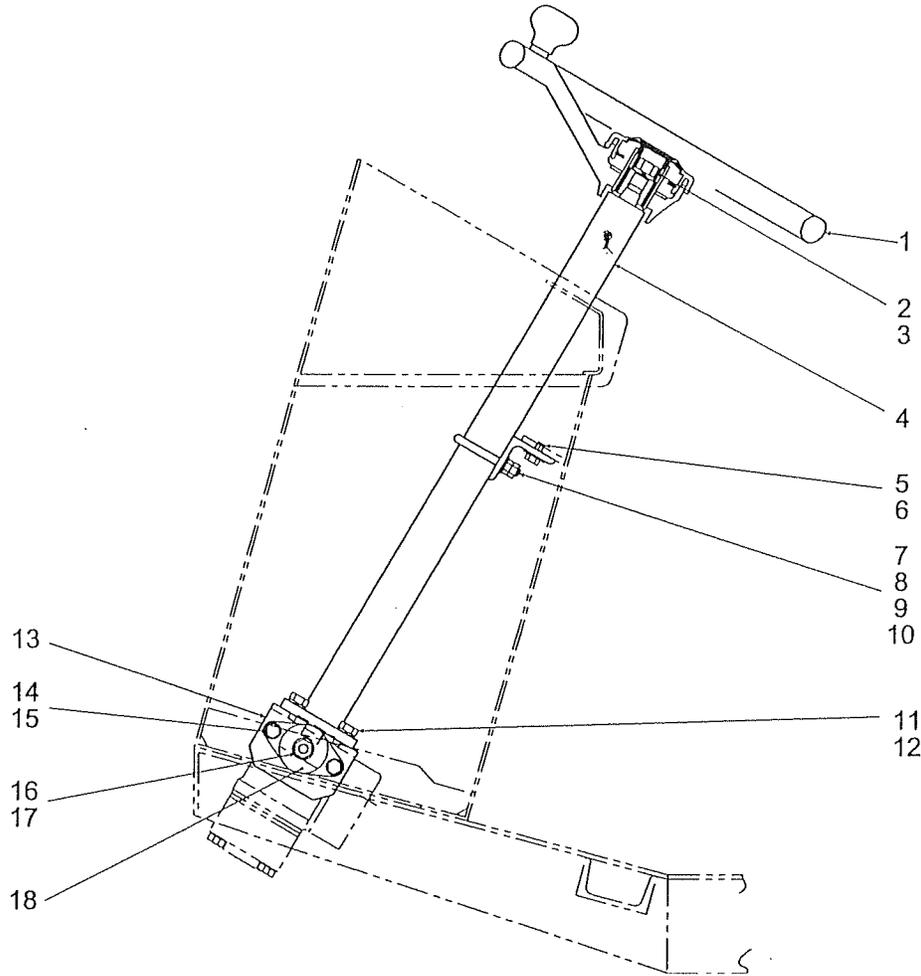


STEERING SYSTEM (CYLINDER)

Key No.	Parts No.	Parts Name	Qty	Remarks
1	4703-14000-0	CAP	4	
2	2472-01001-0	GREASE NIPPLE	2	
3	4216-49000-0	CYLINDER	2	
4	2472-01003-0	GREASE NIPPLE	2	
5	3931-12086-0	COLLAR	8	
6	1402-32014-0	PIN	4	
7	3951-02023-0	PLATE	4	
8	2100-10025-1	BOLT	8	
9	2170-10020-0	WASHER	8	
10	4203-81007-0	REPAIR KIT	1	

0411-32801-0-10057-0

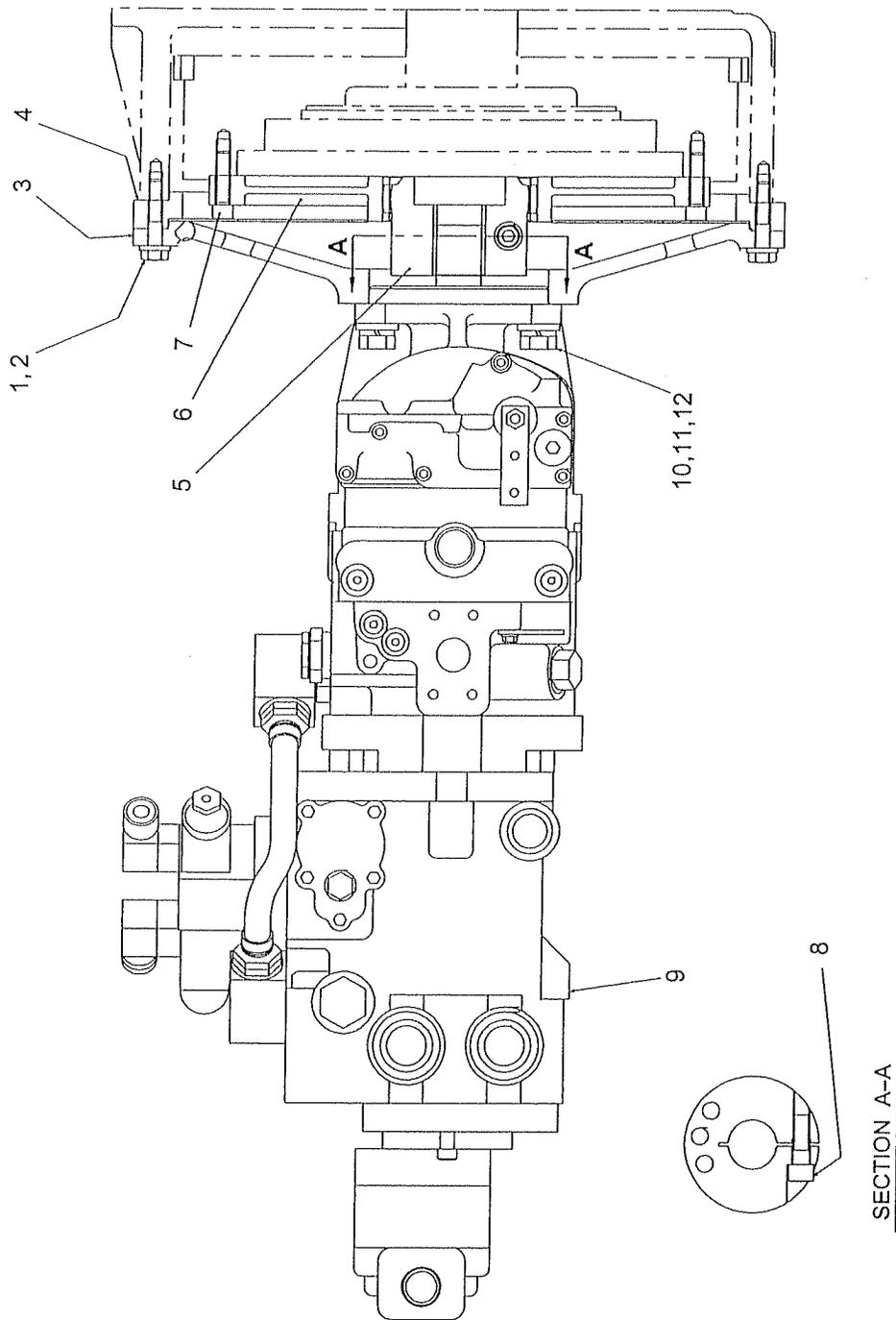
操向装置 (ハンドル)
STEERING SYSTEM (WHEEL)



STEERING SYSTEM (WHEEL)

Key No.	Parts No.	Parts Name	Qty	Remarks
1	4413-88000-1	STEERING WHEEL	1	
2	2121-14110-0	NUT	1	
3	2171-14035-0	SPRING WASHER	1	
4	4416-90000-0	COLUMN SHAFT	1	INC. 2, 3
5	2100-08016-1	BOLT	2	
6	2170-08020-1	WASHER	2	
7	3417-06022-0	U-BOLT	1	
8	2120-08065-0	NUT	4	
9	2170-08023-2	WASHER	2	
10	1402-32002-0	BRACKET	1	
11	2100-10030-1	BOLT	4	
12	2171-10025-0	SPRING WASHER	4	
13	1402-32005-0	BRACKET	1	
14	2100-08012-1	BOLT	4	
15	2170-08016-0	WASHER	4	
16	2120-10080-0	NUT	2	
17	2170-10032-2	WASHER	2	
18	2460-01042-0	RUBBER ISOLATOR	2	
19	4413-88004-0	HORN BUTTON	1	

油圧装置(ポンプ取付)
HYDRAULIC SYSTEM (PUMP MOUNTING)

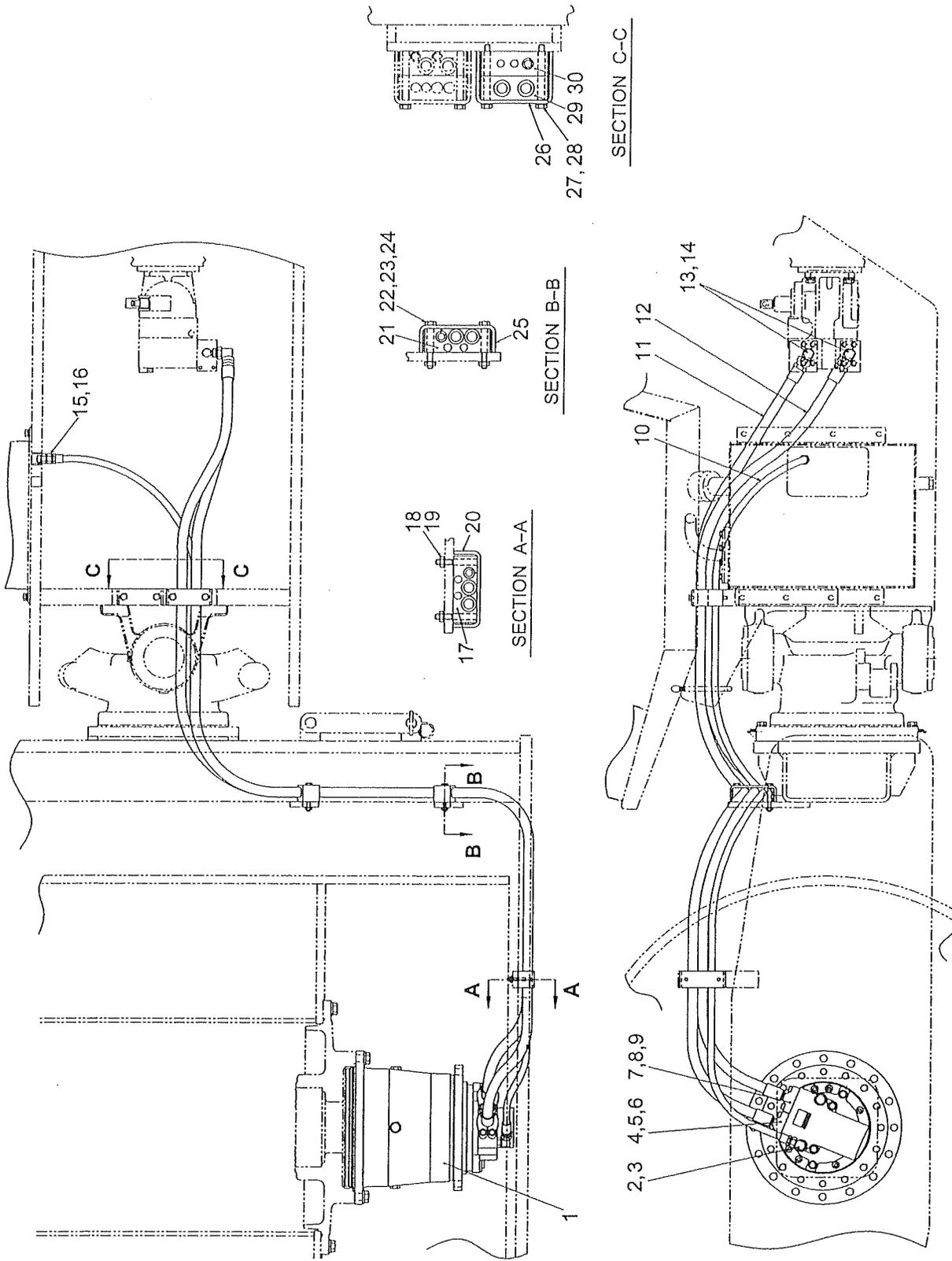


HYDRAULIC SYSTEM (PUMP MOUNTING)

Key No.	Parts No.	Parts Name	Qty	Remarks
1	2100-10050-3	BOLT	12	
2	2170-10032-2	WASHER	12	
3	1411-36001-0	HOUSING	1	
4	1411-36007-0	RING	1	
5	4418-02000-0	HUB	1	INC. 8
6	4418-03000-0	FLANGE	1	
7	3100-82001-0	BOLT	8	
8	2107-12035-3	BOLT	1	
9	4216-44000-0	PUMP	1	
10	2100-14045-3	BOLT	4	
11	2171-14042-1	SPRING WASHER	4	
12	2170-14045-2	WASHER	4	

0411-36801-0-10059-0

油圧装置 (フロントドライブ) HYDRAULIC SYSTEM (FRONT DRIVE)



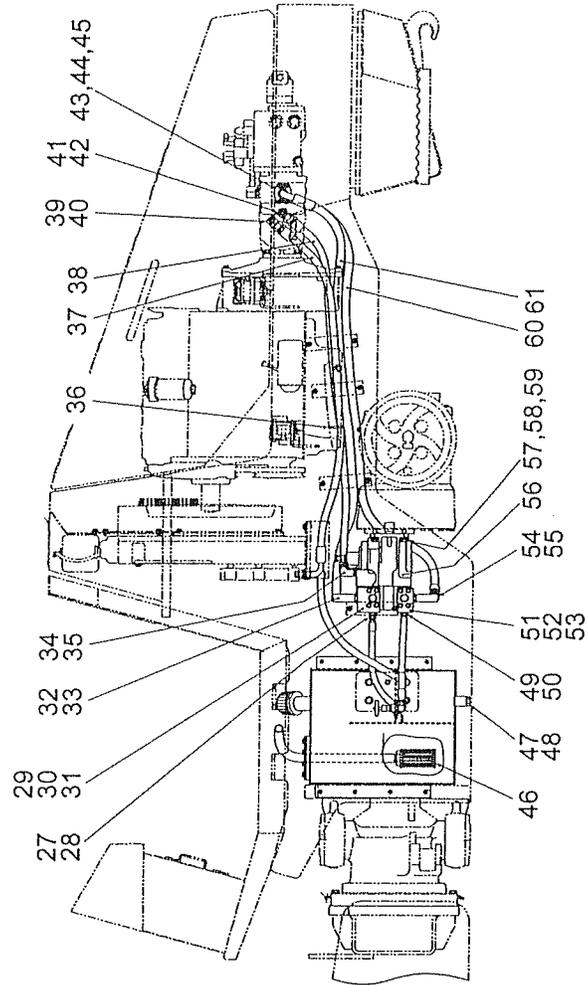
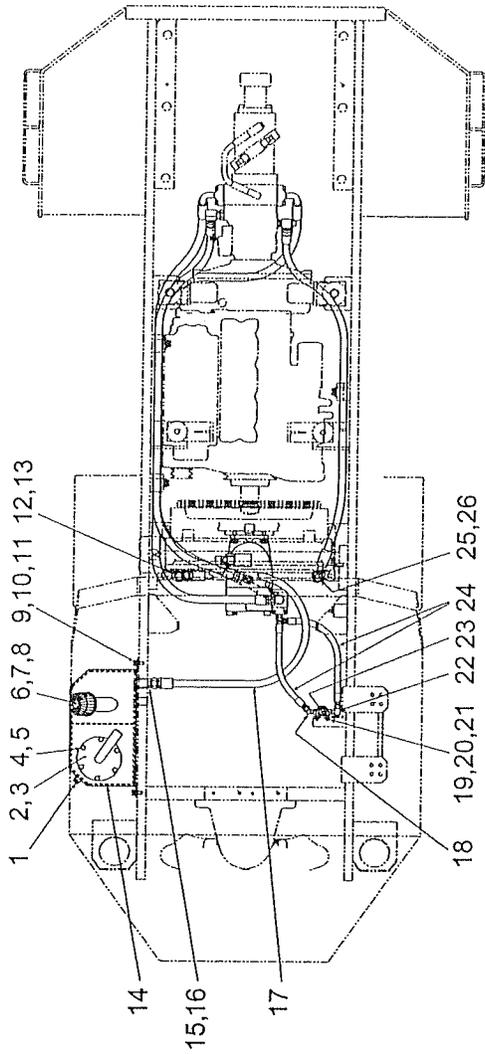
HYDRAULIC SYSTEM (FRONT DRIVE)

Key No.	Parts No.	Parts Name	Qty	Remarks
1	4216-45000-0	MOTOR	1	
2	2265-22004-1	ADAPTER	1	INC. 3
3	2632-00010-0	O-RING	1	
4	2269-10600-0	SPLIT FLANGE	1	
5	2631-02004-0	O-RING	1	
6	2109-11038-4	BOLT	4	
7	2269-10600-0	SPLIT FLANGE	1	
8	2631-02004-0	O-RING	1	
9	2109-11038-4	BOLT	4	
10	2301-12370-2	HOSE	1	
11	1411-36008-0	HOSE	1	
12	1411-36009-0	HOSE	1	
13	2265-06006-3	ADAPTER	2	INC. 14
14	2630-02024-0	O-RING	2	
15	2265-04004-2	ADAPTER	1	INC.16
16	2630-02018-0	O-RING	1	
17	1400-36001-0	CLAMP	1	
18	2170-10020-0	WASHER	2	
19	3120-01073-0	NUT	2	
20	1411-36016-0	CLAMP	1	
21	1400-36001-0	CLAMP	2	
22	2100-10080-1	BOLT	4	
23	2170-10020-0	WASHER	4	
24	3120-01073-0	NUT	4	
25	3934-12078-0	CLAMP	2	
26	1402-36303-0	CLAMP	1	
27	3100-07107-0	BOLT	2	
28	2170-10020-0	WASHER	2	
29	3416-32048-0	CLAMP	1	
30	1402-36302-0	CLAMP	1	

0411-36802-0-10060-0

油圧装置 (リヤドライブ 1)

HYDRAULIC SYSTEM (REAR DRIVE 1)



HYDRAULIC SYSTEM (REAR DRIVE 1)

Key No.	Parts No.	Parts Name	Qty	Remarks
1	0788-36003-0	LEVEL GAUGE ASS'Y	1	
2	1400-36013-0	COVER	1	
3	3681-12050-0	PACKING	1	
4	2100-10020-1	BOLT	6	
5	2170-10020-0	WASHER	6	
6	4204-54000-0	FILLER	1	
7	2100-06016-1	BOLT	4	
8	2171-06015-0	SPRING WASHER	4	
9	2100-12030-1	BOLT	8	
10	2170-12032-2	WASHER	8	
11	2171-12030-0	SPRING WASHER	8	
12	3260-32065-0	ADAPTER	1	
13	2630-02029-0	O-RING	1	
14	1411-36015-0	TANK	1	
15	2265-06006-2	ADAPTER	1	INC. 16
16	2630-02024-0	O-RING	1	
17	2301-14120-1	HOSE	1	
18	2260-03003-1	ADAPTER	1	
19	3417-04006-1	U-BOLT	1	
20	2170-08016-0	WASHER	2	
21	2120-08065-1	NUT	2	
22	2260-03003-2	ADAPTER	1	
23	3380-01019-0	VALVE	1	
24	1411-36010-0	HOSE	2	
25	3260-22119-0	ADAPTER	1	INC. 26
26	2630-02029-0	O-RING	1	
27	2265-03003-2	ADAPTER	1	INC. 28
28	2630-02014-0	O-RING	1	
29	1402-36006-0	BLOCK	1	
30	2631-02024-0	O-RING	1	
31	2109-11063-4	BOLT	4	
32	3260-32054-0	ADAPTER	1	INC. 33
33	2630-02024-0	O-RING	1	
34	3260-65028-0	ELBOW	1	INC. 35
35	2632-00012-0	O-RING	1	
36	2898-00107-0	BAND	1	
37	2301-34166-1	HOSE	1	
38	2304-14188-1	HOSE	1	

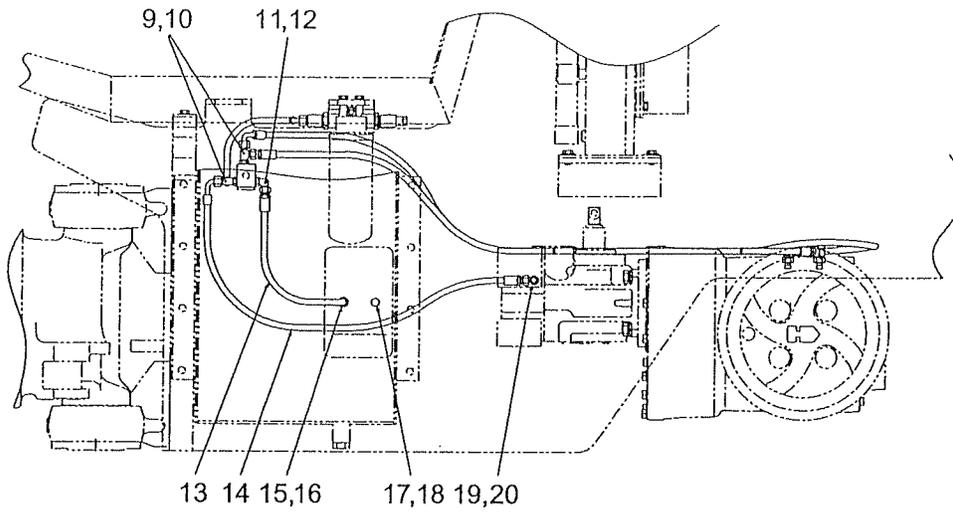
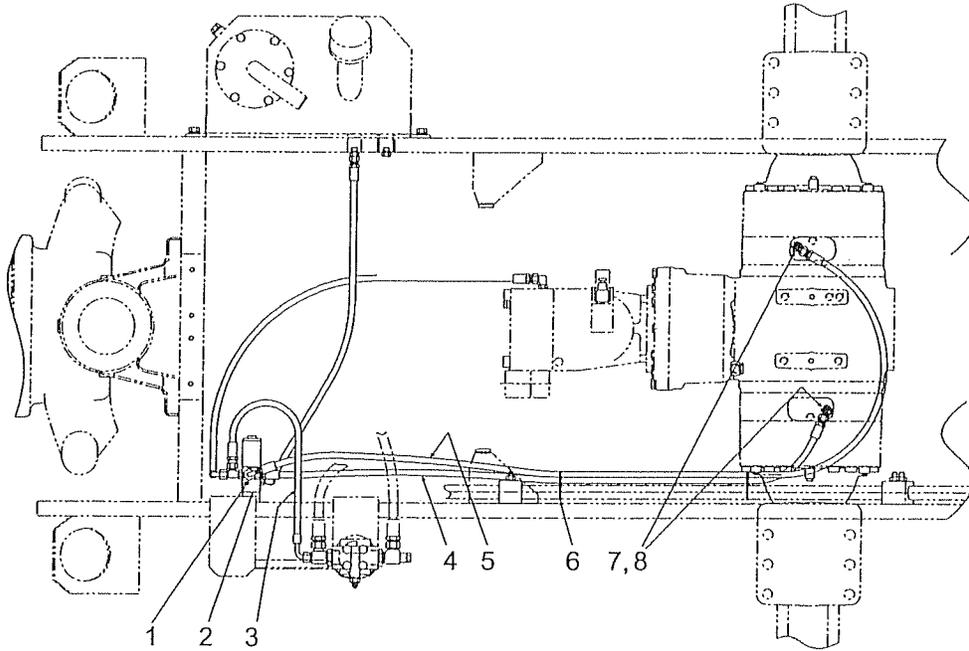
0411-36803-0-1001-0

HYDRAULIC SYSTEM (REAR DRIVE 1)

Key No.	Parts No.	Parts Name	Qty	Remarks
39	3260-63074-0	ADAPTER	1	INC. 40
40	2632-00012-0	O-RING	1	
41	3260-65028-0	ELBOW	1	INC. 42
42	2632-00012-0	O-RING	1	
43	2269-10600-0	SPLIT FLANGE	2	
44	2631-02004-0	O-RING	2	
45	2109-11038-4	BOLT	8	
46	4207-79000-0	FILTER	1	
47	2215-06001-2	PLUG	1	INC. 48
48	2630-02024-0	O-RING	1	
49	2265-03003-3	ADAPTER	1	INC. 50
50	2630-02014-0	O-RING	1	
51	1402-36007-0	BLOCK	1	
52	2631-02024-0	O-RING	1	
53	2109-11063-4	BOLT	1	
54	3260-32054-0	ADAPTER	1	INC. 55
55	2630-02024-0	O-RING	1	
56	4216-47000-0	MOTOR	1	
57	2100-14040-3	BOLT	4	
58	2171-14042-1	SPRING WASHER	4	
59	2170-14045-2	WASHER	4	
60	1402-36004-0	HOSE	1	
61	1411-36011-0	HOSE	1	

– MEMO –

油圧装置 (リヤドライブ 2)
HYDRAULIC SYSTEM (REAR DRIVE 2)

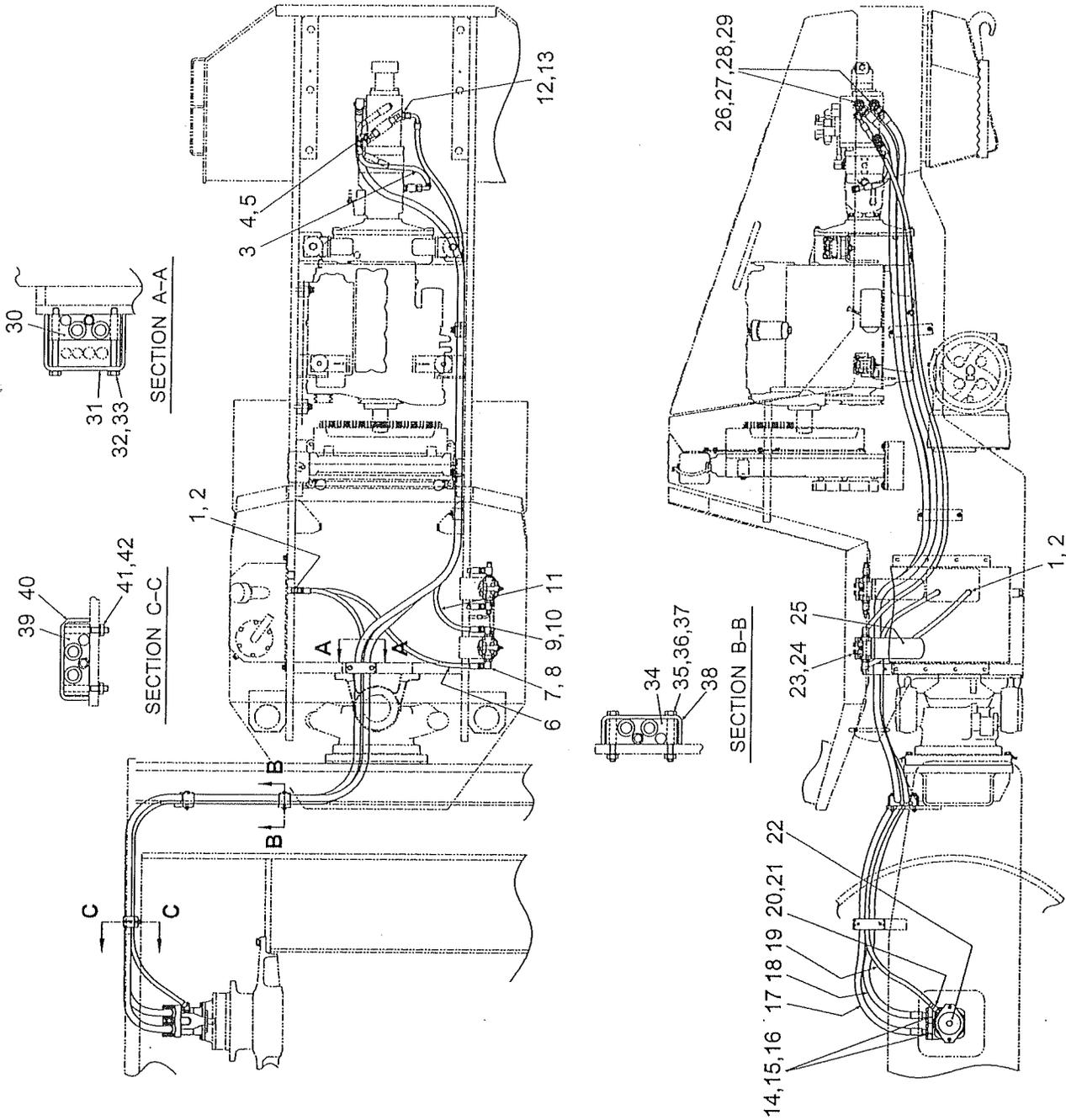


HYDRAULIC SYSTEM (REAR DRIVE 2)

Key No.	Parts No.	Parts Name	Qty	Remarks
1	3100-53014-0	BOLT	2	
2	4206-67000-0	VALVE	1	INC. 1
3	2301-30060-2	HOSE	1	
4	2301-10146-2	HOSE	1	
5	2301-30200-2	HOSE	1	
6	2898-00103-0	BAND	2	
7	3260-35133-0	ADAPTER	2	INC. 8
8	2630-02011-0	O-RING	2	
9	3260-30035-0	TEE	2	INC. 10
10	2630-02011-0	O-RING	2	
11	2265-02002-3	ADAPTER	1	INC. 12
12	2630-02011-0	O-RING	1	
13	2301-10100-2	HOSE	1	
14	2301-30124-2	HOSE	1	
15	2265-02002-2	ADAPTER	1	INC. 16
16	2630-02011-0	O-RING	1	
17	2215-02001-2	PLUG	1	INC. 18
18	2630-02011-0	O-RING	1	
19	2265-14002-1	ADAPTER	1	INC. 20
20	2632-00006-0	O-RING	1	

0411-36804-0-10062-0

油压装置 (振動) HYDRAULIC SYSTEM (VIBRATING)



HYDRAULIC SYSTEM (VIBRATING)

Key No.	Parts No.	Parts Name	Qty	Remarks
1	2265-04004-2	ADAPTER	2	INC. 2
2	2630-02018-0	O-RING	2	
3	2301-32069-1	HOSE	1	
4	3260-65066-0	ELBOW	1	INC. 5
5	2632-00012-0	O-RING	1	
6	2301-12115-1	HOSE	1	
7	3260-32022-0	ADAPTER	1	INC. 8
8	2630-02024-0	O-RING	1	
9	3260-32022-0	ADAPTER	1	INC. 10
10	2630-02024-0	O-RING	1	
11	2301-32306-1	HOSE	1	
12	3260-55037-0	ADAPTER	1	INC. 13
13	2632-00012-0	O-RING	1	
14	2269-06600-0	SPLIT FLANGE	2	
15	2631-02019-0	O-RING	2	
16	2109-10038-4	BOLT	8	
17	2301-74588-6	HOSE	1	
18	2301-74588-6	HOSE	1	
19	2301-12352-2	HOSE	1	
20	2265-22004-5	ADAPTER	1	INC. 21
21	2632-00010-0	O-RING	1	
22	4216-48000-0	MOTOR	1	
23	2100-10025-1	BOLT	4	
24	2170-10020-0	WASHER	4	
25	4211-41000-1	FILTER	1	
26	3260-65067-0	ADAPTER	2	INC. 27
27	2632-00016-0	O-RING	2	
28	3215-20007-0	PLUG	2	INC. 29
29	2632-00004-0	O-RING	2	
30	1529-49002-0	CLAMP	1	
31	1402-36303-0	CLAMP	1	
32	3100-07107-0	BOLT	2	
33	2170-10020-0	WASHER	2	
34	1529-49002-0	CLAMP	2	
35	2100-10080-1	BOLT	4	
36	2170-10020-0	WASHER	4	
37	3120-01073-0	NUT	4	
38	3934-12078-0	CLAMP	2	

0411-49801-0-10065-0

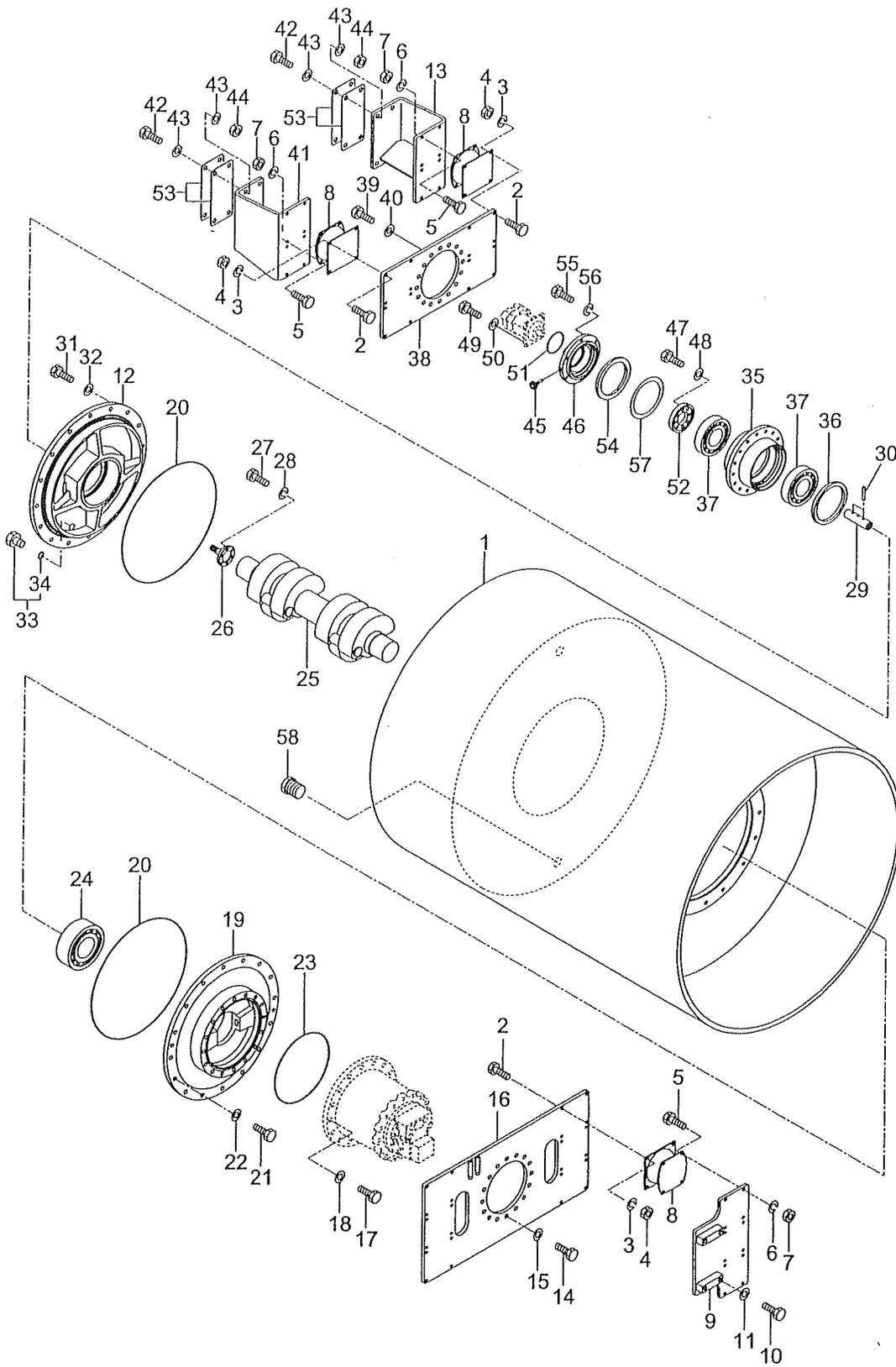
HYDRAULIC SYSTEM (VIBRATING)

Key No.	Parts No.	Parts Name	Qty	Remarks
39	1529-49002-0	CLAMP	1	
40	1411-36016-0	CLAMP	1	
41	2170-10020-0	WASHER	2	
42	3120-01073-0	NUT	2	

— MEMO —

振動ロール VIBRATING ROLL

APPLIED MODEL
SV510D-II



VIBRATING ROLL-SV510D-II

Key No.	Parts No.	Parts Name	Qty	Remarks
1	1402-43029-0	ROLL	1	
2	2100-12040-3	BOLT	40	
3	2171-12036-1	SPRING WASHER	40	
4	2120-12100-2	NUT	40	
5	2100-12040-3	BOLT	40	
6	2171-12036-1	SPRING WASHER	40	
7	2120-12100-2	NUT	40	
8	1533-43018-0	DAMPER	10	
9	1402-43304-0	HOLDER	2	
10	2100-20080-3	BOLT	8	
11	2170-20060-2	WASHER	8	
12	1402-43024-0	AXLE SHAFT	1	
13	1402-43028-0	HOLDER	1	
14	2100-20060-3	BOLT	16	
15	2170-20060-2	WASHER	16	
16	1400-43006-0	DISC	1	
17	2100-20060-3	BOLT	16	
18	2170-20060-2	WASHER	16	
19	1402-43303-0	AXLE SHAFT	1	
20	3630-18038-0	O-RING	2	
21	2100-20060-3	BOLT	16	
22	2170-20060-2	WASHER	16	
23	3630-18018-0	O-RING	1	
24	3511-43003-3	ROLLER BEARING	2	
25	1411-43002-0	ECCENTRIC SHAFT	1	
26	1411-43009-0	SHAFT	1	
27	2100-12040-3	BOLT	6	
28	2171-12036-1	SPRING WASHER	6	
29	1411-43010-0	SLEEVE	1	
30	2150-06045-0	SPRING PIN	2	
31	2100-20060-3	BOLT	16	
32	2170-20060-2	WASHER	16	
33	2215-10001-2	PLUG	3	INC. 34
34	2630-02029-0	O-RING	3	
35	1533-43011-0	HOUSING	1	
36	2603-04983-0	OIL SEAL	1	
37	2513-32026-2	ROLLER BEARING	2	
38	1533-43012-0	DISC	1	

0411-43801-0-10049-0

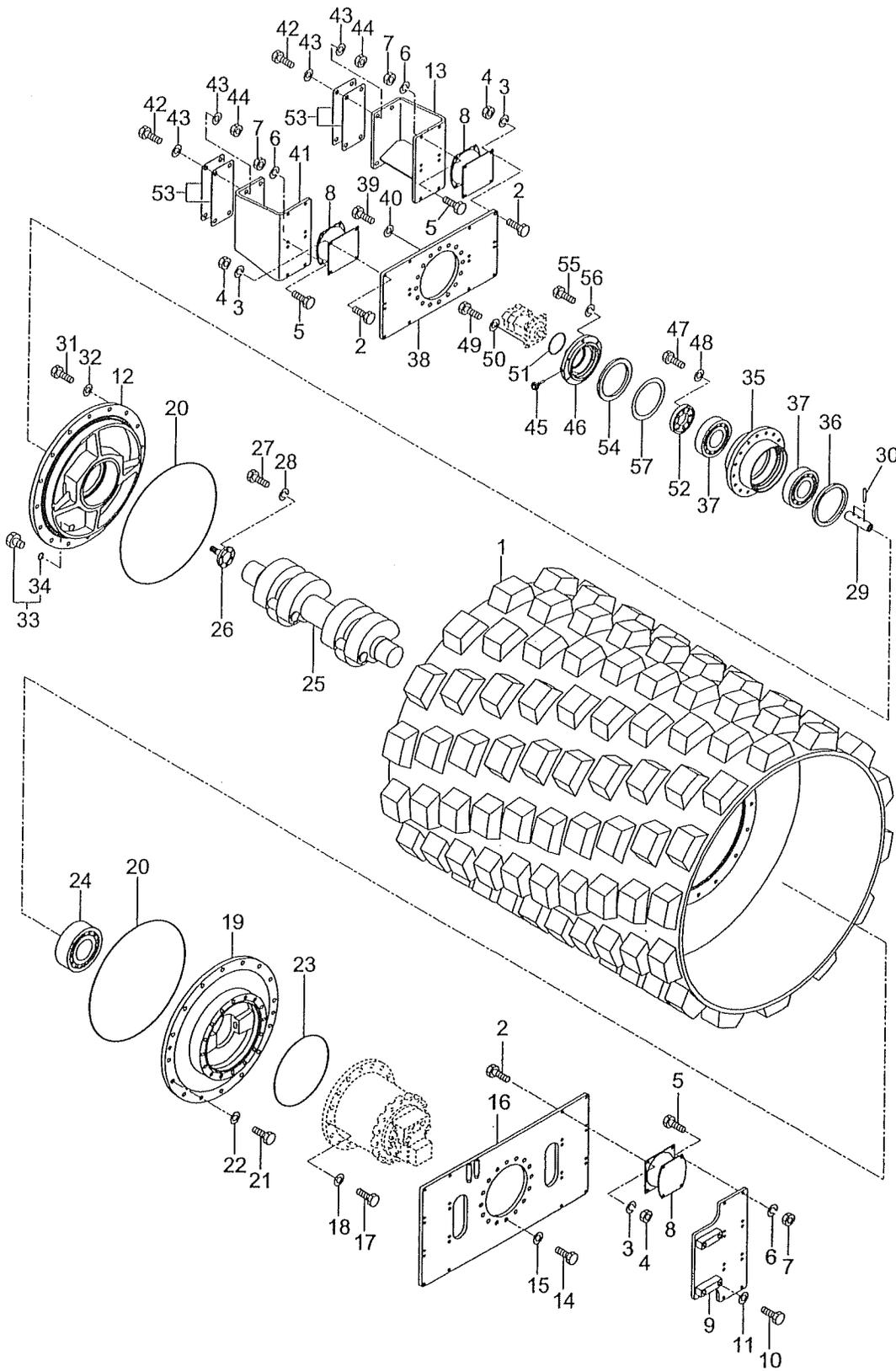
VIBRATING ROLL-SV510D-II

Key No.	Parts No.	Parts Name	Qty	Remarks
39	2100-20060-3	BOLT	16	
40	2170-20060-2	WASHER	16	
41	1402-43027-0	HOLDER	1	
42	2100-20090-3	BOLT	8	
43	2170-20060-2	WASHER	16	
44	2120-20160-2	NUT	8	
45	3479-02005-0	BREATHER	1	
46	1411-43011-1	COVER	1	
47	2100-14040-3	BOLT	8	
48	2170-14045-2	WASHER	8	
49	3100-13207-0	BOLT	2	
50	2170-14045-2	WASHER	2	
51	2630-01100-1	O-RING	1	
52	1533-43004-0	COVER	1	
53	1533-43001-1	PLATE	1	
54	2603-04624-0	OIL SEAL	1	
55	2100-12040-3	BOLT	6	
56	2171-12036-1	SPRING WASHER	6	
57	2932-00150-0	SHIM	1	
58	2215-14001-1	PLUG	2	

– MEMO –

振動ロール VIBRATING ROLL

APPLIED MODEL
SV510T-II



VIBRATING ROLL-SV510T-II

Key No.	Parts No.	Parts Name	Qty	Remarks
1	1402-43506-2	ROLL	1	
2	2100-12040-3	BOLT	40	
3	2171-12036-1	SPRING WASHER	40	
4	2120-12100-2	NUT	40	
5	2100-12040-3	BOLT	40	
6	2171-12036-1	SPRING WASHER	40	
7	2120-12100-2	NUT	40	
8	1533-43018-0	DAMPER	10	
9	1402-43304-0	HOLDER	2	
10	2100-20080-3	BOLT	8	
11	2170-20060-2	WASHER	8	
12	1402-43024-0	AXLE SHAFT	1	
13	1402-43028-0	HOLDER	1	
14	2100-20060-3	BOLT	16	
15	2170-20060-2	WASHER	16	
16	1400-43006-0	DISC	1	
17	2100-20060-3	BOLT	16	
18	2170-20060-2	WASHER	16	
19	1402-43303-0	AXLE SHAFT	1	
20	3630-18038-0	O-RING	2	
21	2100-20060-3	BOLT	16	
22	2170-20060-2	WASHER	16	
23	3630-18018-0	O-RING	1	
24	3511-43003-3	ROLLER BEARING	2	
25	1411-43006-0	ECCENTRIC SHAFT	1	
26	1411-43009-0	SHAFT	1	
27	2100-12040-3	BOLT	6	
28	2171-12036-1	SPRING WASHER	6	
29	1411-43010-0	SLEEVE	1	
30	2150-06045-0	SPRING PIN	2	
31	2100-20060-3	BOLT	16	
32	2170-20060-2	WASHER	16	
33	2215-10001-2	PLUG	3	INC. 34
34	2630-02029-0	O-RING	3	
35	1533-43011-0	HOUSING	1	
36	2603-04983-0	OIL SEAL	1	
37	2513-32026-2	ROLLER BEARING	2	
38	1533-43012-0	DISC	1	

0411-43802-0-10050-0

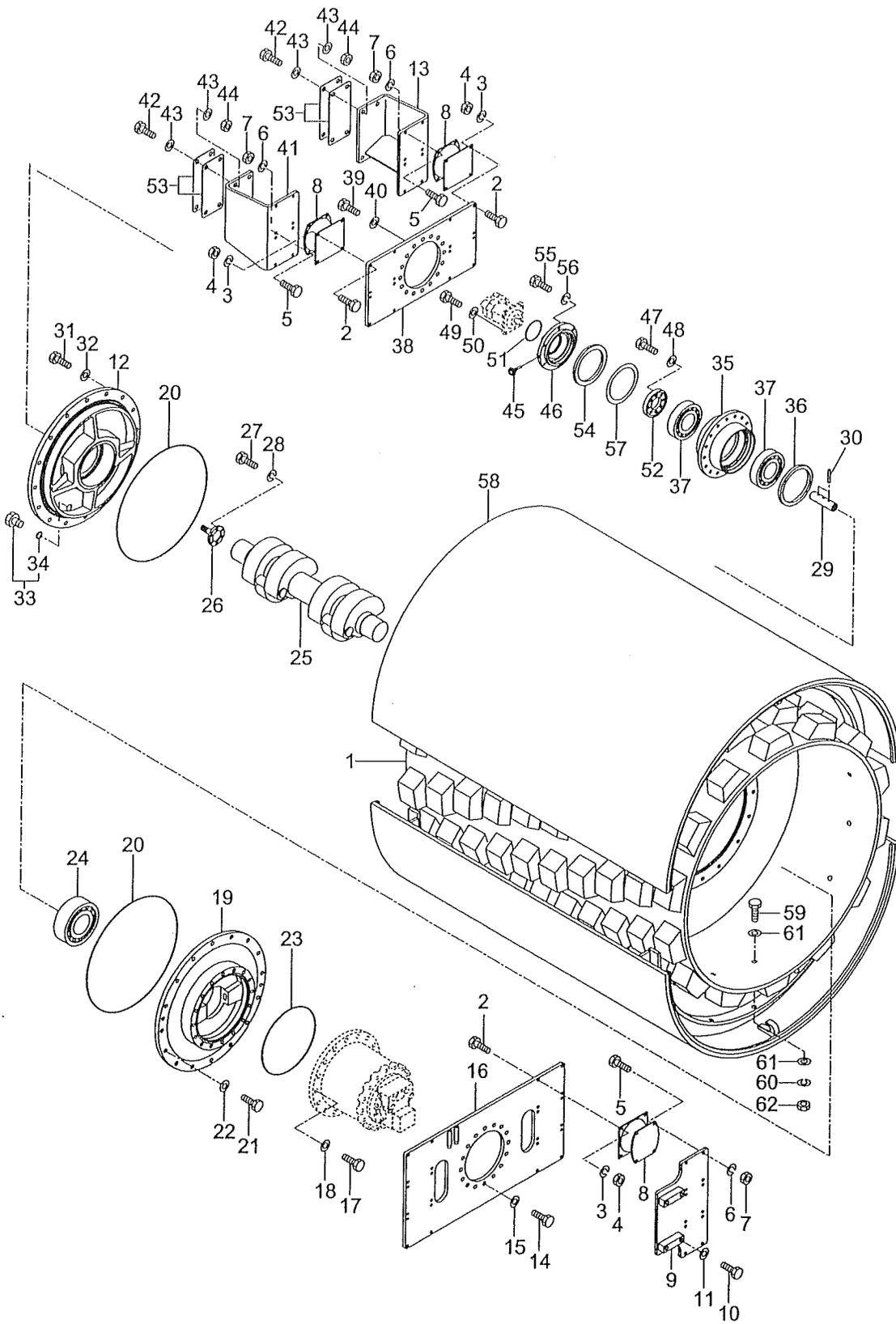
VIBRATING ROLL-SV510T-II

Key No.	Parts No.	Parts Name	Qty	Remarks
39	2100-20060-3	BOLT	16	
40	2170-20060-2	WASHER	16	
41	1402-43027-0	HOLDER	1	
42	2100-20090-3	BOLT	8	
43	2170-20060-2	WASHER	16	
44	2120-20160-2	NUT	8	
45	3479-02005-0	BREATHER	1	
46	1411-43011-1	COVER	1	
47	2100-14040-3	BOLT	8	
48	2170-14045-2	WASHER	8	
49	3100-13207-0	BOLT	2	
50	2170-14045-2	WASHER	2	
51	2630-01100-1	O-RING	1	
52	1533-43004-0	COVER	1	
53	1533-43001-1	PLATE	1	
54	2603-04624-0	OIL SEAL	1	
55	2100-12040-3	BOLT	6	
56	2171-12036-1	SPRING WASHER	6	
57	2932-00150-0	SHIM	1	

– MEMO –

振動ロール VIBRATING ROLL

APPLIED MODEL
SV510TF-II



VIBRATING ROLL-SV510TF-II

Key No.	Parts No.	Parts Name	Qty	Remarks
1	1402-43509-2	ROLL	1	
2	2100-12040-3	BOLT	40	
3	2171-12036-1	SPRING WASHER	40	
4	2120-12100-2	NUT	40	
5	2100-12040-3	BOLT	40	
6	2171-12036-1	SPRING WASHER	40	
7	2120-12100-2	NUT	40	
8	1533-43018-0	DAMPER	10	
9	1402-43304-0	HOLDER	2	
10	2100-20080-3	BOLT	8	
11	2170-20060-2	WASHER	8	
12	1402-43024-0	AXLE SHAFT	1	
13	1402-43028-0	HOLDER	1	
14	2100-20060-3	BOLT	16	
15	2170-20060-2	WASHER	16	
16	1400-43006-0	DISC	1	
17	2100-20060-3	BOLT	16	
18	2170-20060-2	WASHER	16	
19	1402-43303-0	AXLE SHAFT	1	
20	3630-18038-0	O-RING	2	
21	2100-20060-3	BOLT	16	
22	2170-20060-2	WASHER	16	
23	3630-18018-0	O-RING	1	
24	3511-43003-3	ROLLER BEARING	2	
25	1411-43006-0	ECCENTRIC SHAFT	1	
26	1411-43009-0	SHAFT	1	
27	2100-12040-3	BOLT	6	
28	2171-12036-1	SPRING WASHER	6	
29	1411-43010-0	SLEEVE	1	
30	2150-06045-0	SPRING PIN	2	
31	2100-20060-3	BOLT	16	
32	2170-20060-2	WASHER	16	
33	2215-10001-2	PLUG	3	INC. 34
34	2630-02029-0	O-RING	3	
35	1533-43011-0	HOUSING	1	
36	2603-04983-0	OIL SEAL	1	
37	2513-32026-2	ROLLER BEARING	2	
38	1533-43012-0	DISC	1	

0411-43803-0-10051-0

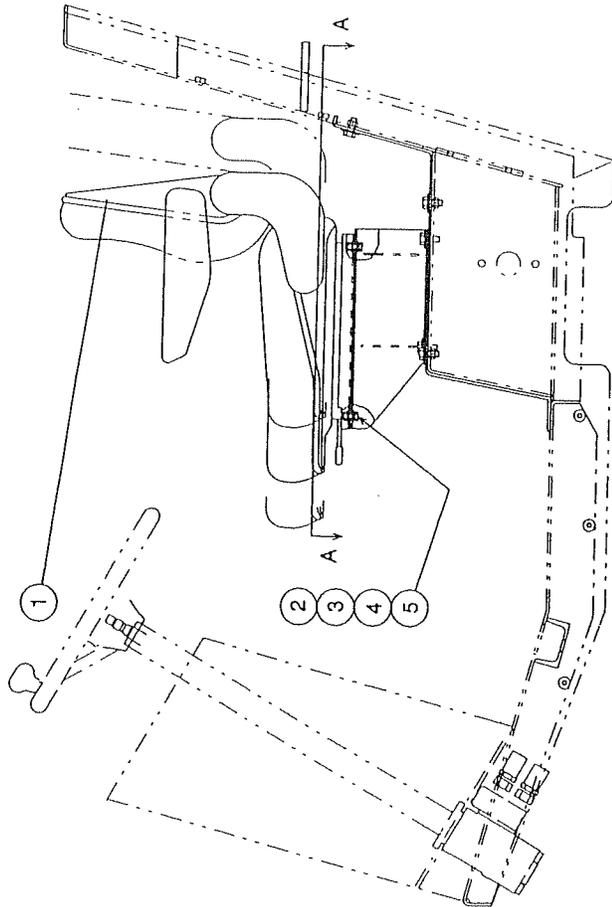
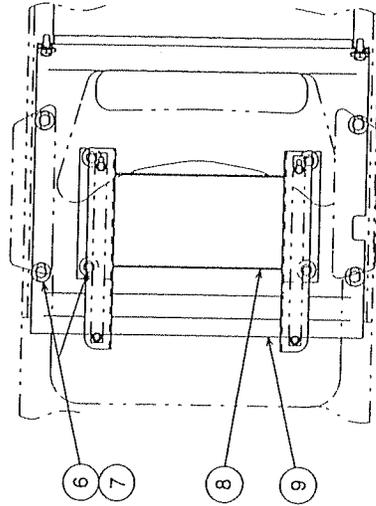
VIBRATING ROLL-SV510TF-II

Key No.	Parts No.	Parts Name	Qty	Remarks
39	2100-20060-3	BOLT	16	
40	2170-20060-2	WASHER	16	
41	1402-43027-0	HOLDER	1	
42	2100-20090-3	BOLT	8	
43	2170-20060-2	WASHER	16	
44	2120-20160-2	NUT	8	
45	3479-02005-0	BREATHER	1	
46	1411-43011-1	COVER	1	
47	2100-14040-3	BOLT	8	
48	2170-14045-2	WASHER	8	
49	3100-13207-0	BOLT	2	
50	2170-14045-2	WASHER	2	
51	2630-01100-1	O-RING	1	
52	1533-43004-0	COVER	1	
53	1533-43001-1	PLATE	1	
54	2603-04624-0	OIL SEAL	1	
55	2100-12040-3	BOLT	6	
56	2171-12036-1	SPRING WASHER	6	
57	2932-00150-0	SHIM	1	
58	1402-43508-0	ROLL	1	
59	2100-20080-3	BOLT	28	
60	2171-20060-1	SPRING WASHER	28	
61	2170-20045-2	WASHER	56	
62	2120-20160-2	NUT	28	

FRAME (CENTER PIN)

Key No.	Parts No.	Parts Name	Q'ty	Remarks
1	2100-16060-3	BOLT	22	
2	2170-16045-2	WASHER	22	
3	1402-61201-0	YOKE	1	
4	4417-15000-0	BEARING	1	
5	2472-01002-0	GREASE NIPPLE	1	
6	2100-16080-3	BOLT	20	
7	2170-16045-2	WASHER	20	
8	2100-16045-3	BOLT	12	
9	2170-16045-2	WASHER	12	
10	1402-61101-0	COVER	2	
11	3511-32018-0	ROLLER BEARING	2	
12	2472-02001-0	GREASE NIPPLE	2	
13	1402-61103-0	BRACKET	1	
14	2472-01002-0	GREASE NIPPLE	1	
15	1402-61102-0	BRACKET	1	
16	2630-01112-0	O-RING	1	
17	4703-14000-0	CAP	4	

シート
SEAT

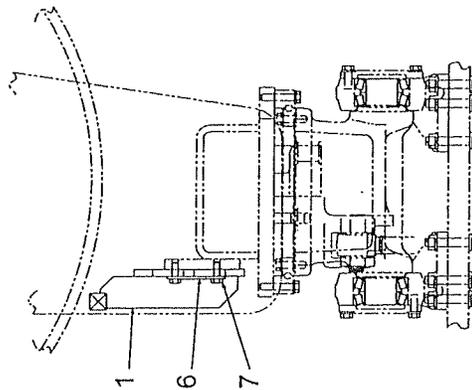
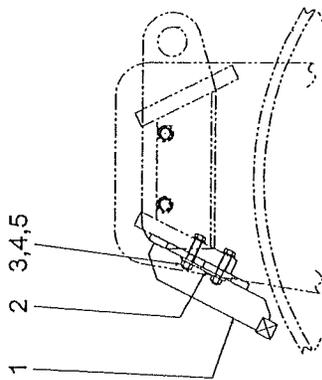
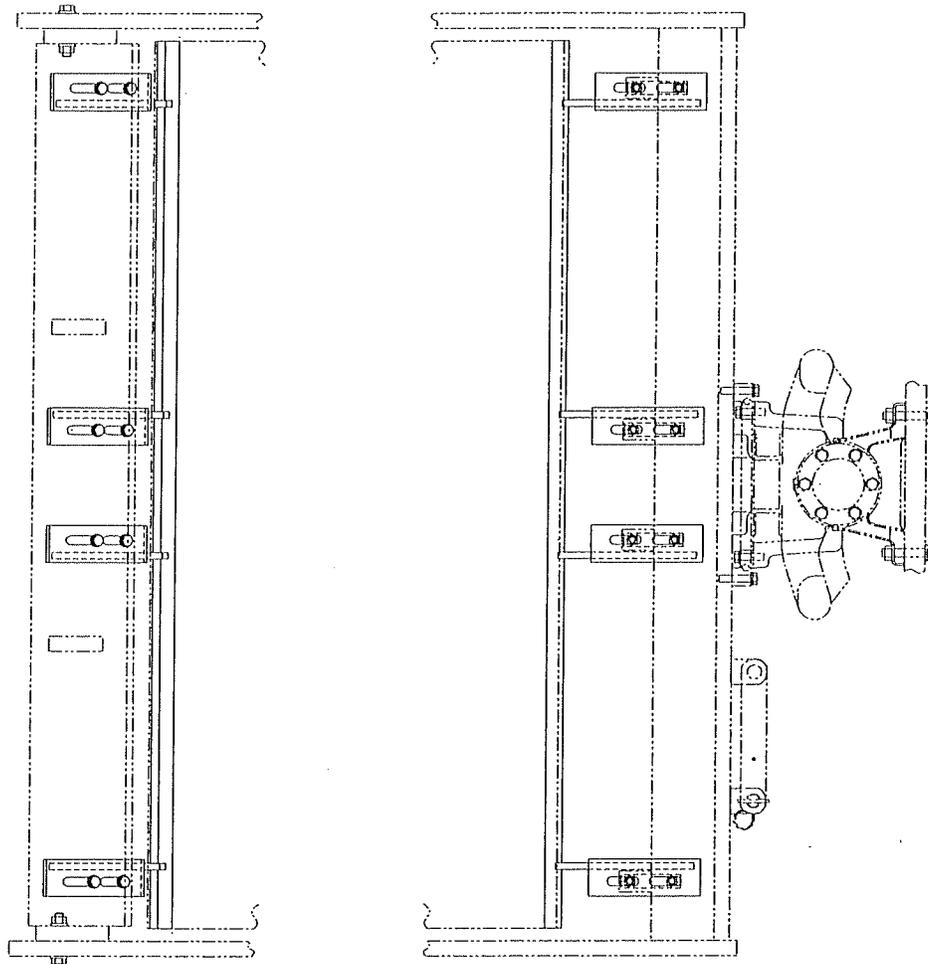


SEAT

Key No.	Parts No.	Parts Name	Qty	Remarks
1	4713-34000-0	SEAT ASS'Y	1	
2	2170-08016-0	WASHER	4	
3	2171-08020-0	SPRING WASHER	4	
4	2120-08065-0	NUT	4	
5	1402-31006-0	BRACKET	1	
6	2100-10025-1	BOLT	10	
7	2170-10030-1	WASHER	10	
8	1402-31003-1	BASE	1	
9	4710-94001-0	ARMREST (RIGHT)	1	
10	4710-94002-0	ARMREST (LEFT)	1	

泥除装置 SCRAPER SYSTEM

APPLIED MODEL
SV510D-II



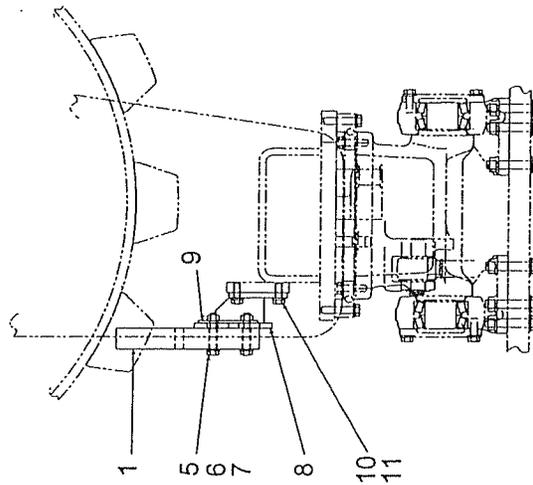
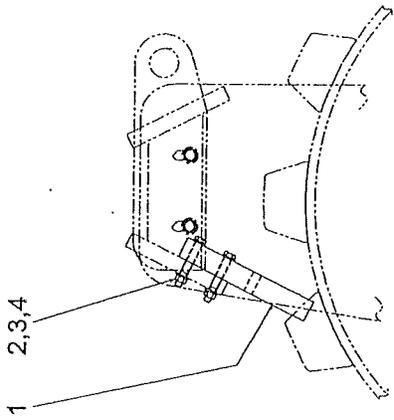
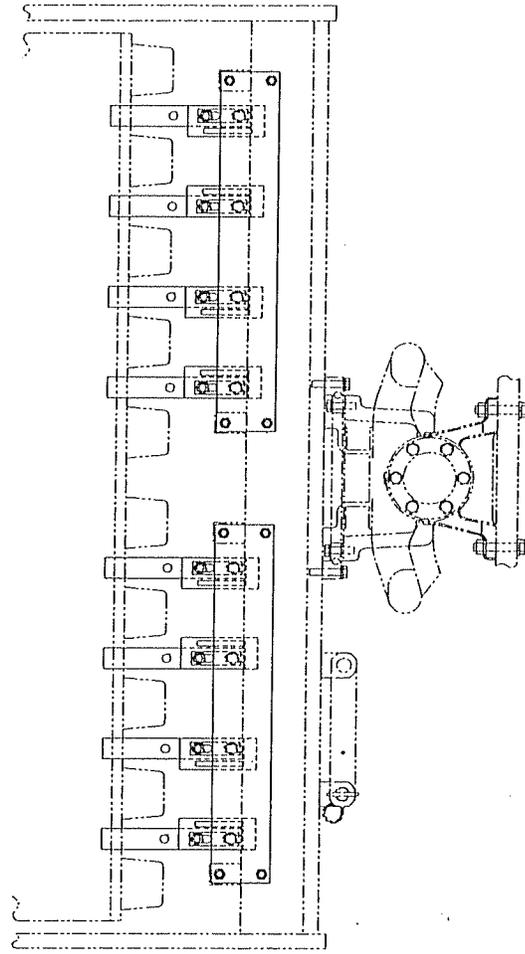
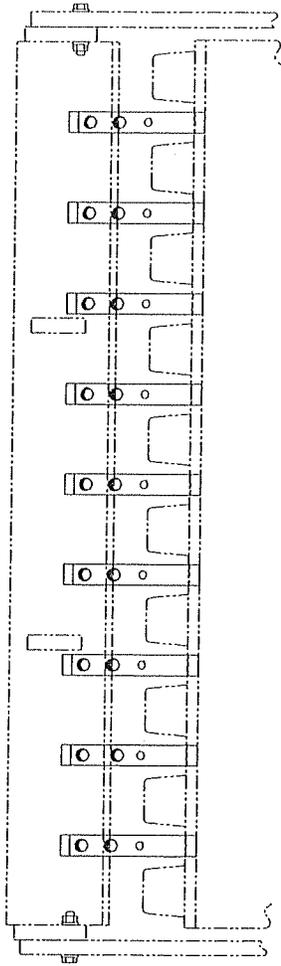
SCRAPER SYSTEM - SV510D-II

Key No.	Parts No.	Parts Name	Qty	Remarks
1	1402-71002-0	BRACKET	2	
2	3934-02395-0	WASHER	4	
3	2100-16080-1	BOLT	8	
4	2170-16045-2	WASHER	8	
5	2120-16130-0	NUT	8	
6	3934-02644-0	WASHER	4	
7	2100-16040-1	BOLT	8	

0411-71801-0-10089-0

泥除装置
SCRAPER SYSTEM

APPLIED MODEL
SV510T-II

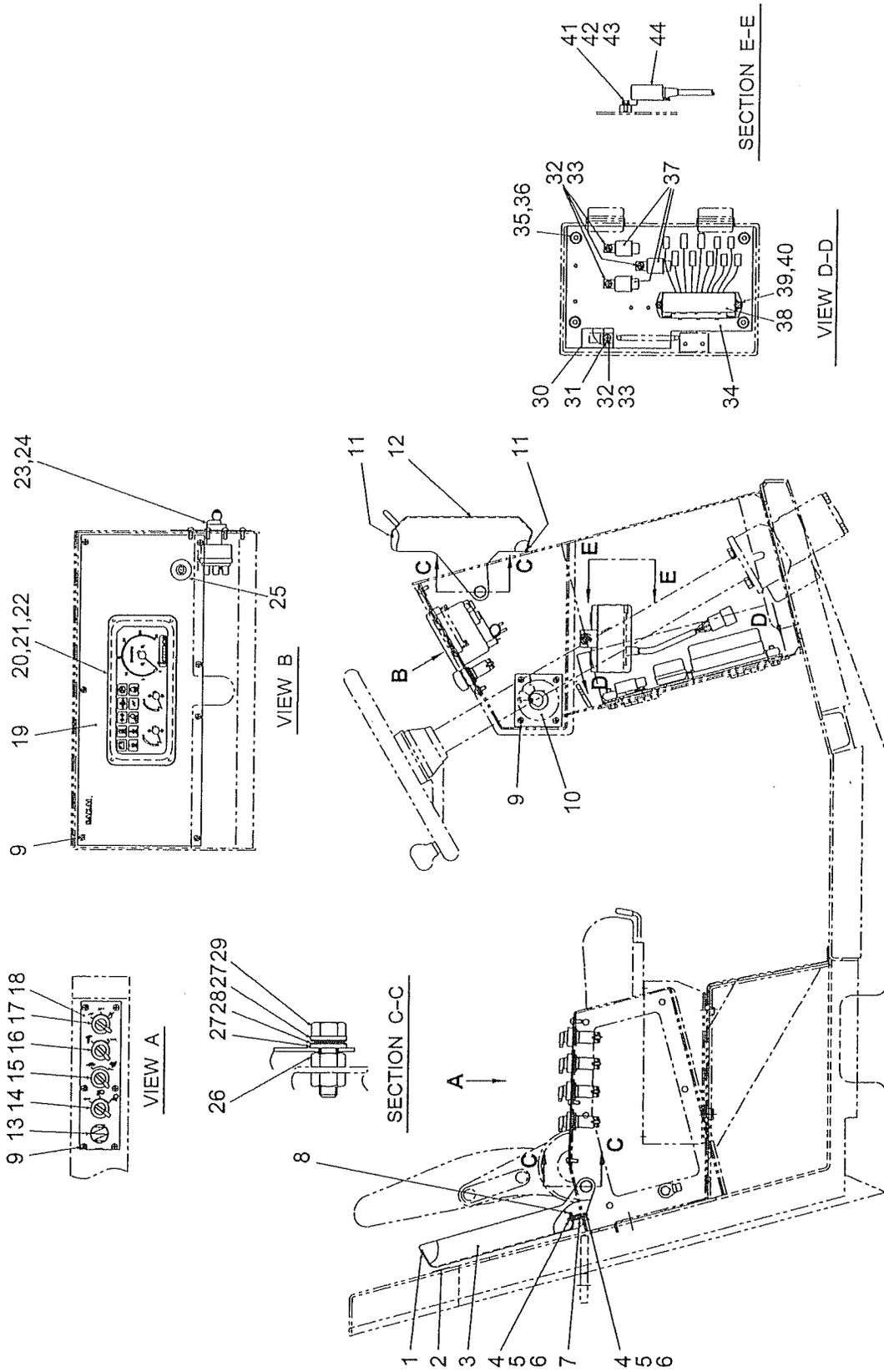


SCRAPER SYSTEM - SV510T-II

Key No.	Parts No.	Parts Name	Qty	Remarks
1	1402-71503-0	BAR	17	
2	2100-16120-1	BOLT	18	
3	2170-16045-2	WASHER	36	
4	2120-16130-0	NUT	18	
5	2100-16090-1	BOLT	16	
6	2170-16045-2	WASHER	16	
7	2120-16130-0	NUT	16	
8	1402-71501-0	BRACKET	2	
9	3934-02395-0	WASHER	8	
10	2100-16040-1	BOLT	8	
11	2170-16045-2	WASHER	8	

0411-71802-0-10090-0

電装品関係 (パネル) ELECTRICAL EQUIPMENT (PANEL)



ELECTRICAL EQUIPMENT (PANEL)

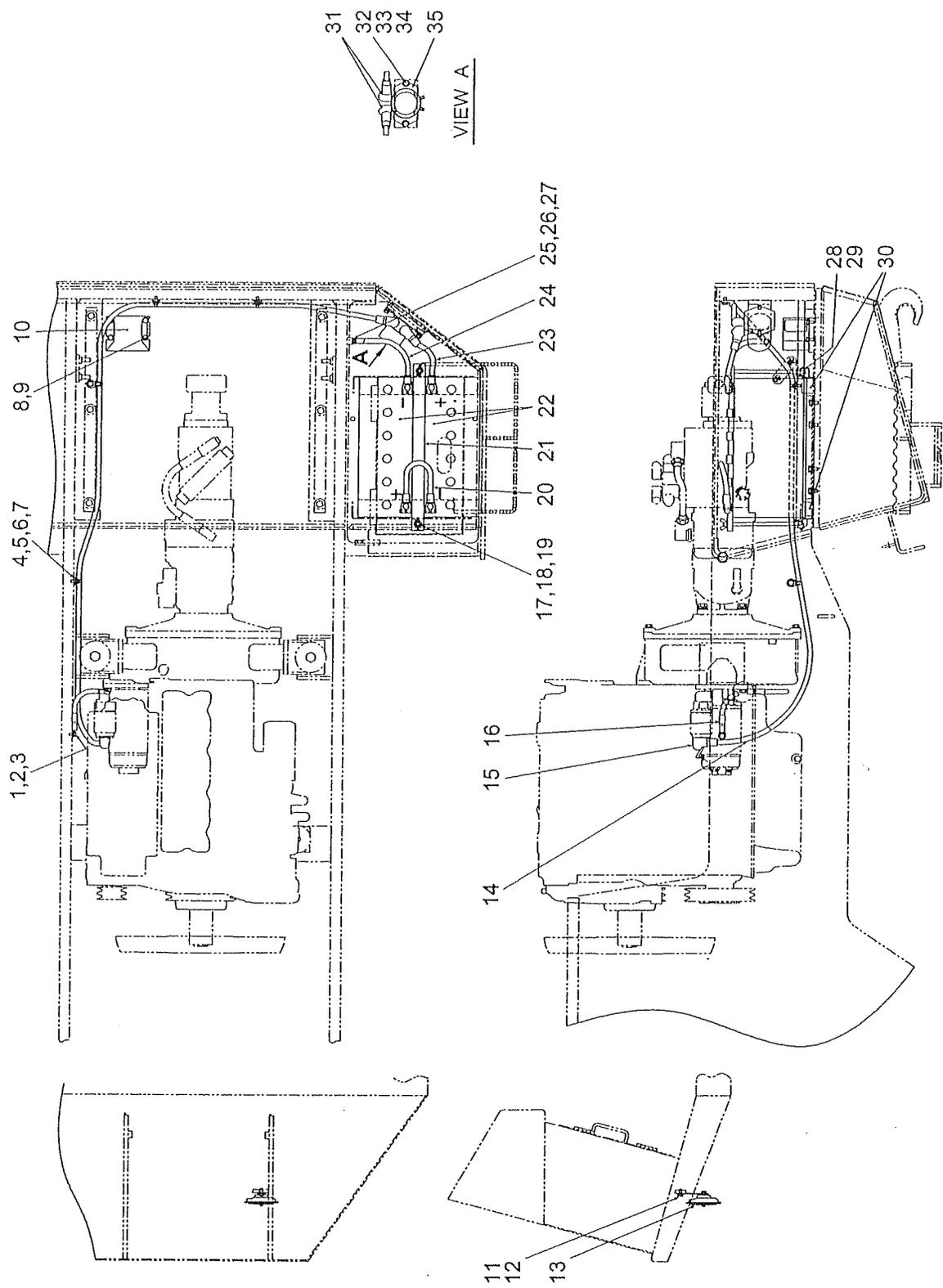
Key No.	Parts No.	Parts Name	Qty	Remarks
1	1402-09031-0	PROTECTOR	2	
2	1402-09034-0	CUSHION	1	
3	1402-09016-1	COVER	1	
4	2182-04012-0	SCREW	4	
5	2170-04008-0	WASHER	4	
6	2120-04032-0	NUT	4	
7	2422-50001-1	CATCH ASS'Y	1	
8	1402-09032-0	PROTECTOR	1	
9	3180-20020-0	SCREW	17	
10	1411-09002-0	PANEL	1	
11	1402-09033-0	PROTECTOR	2	
12	1402-09003-0	COVER	1	LAMP
13	4904-60000-0	COVER	1	SPEED CHANGE
14	2828-01001-2	SWITCH	1	VIB. SELECTOR
15	2828-00004-1	SWITCH	1	VIBRATOR
16	2828-00002-1	SWITCH	1	
17	2828-01002-2	SWITCH	1	
18	1402-09035-0	PANEL	1	
19	1402-09017-0	PANEL	1	
20	4910-38000-0	COMBINATION METER	1	
21	2182-05008-2	SCREW	4	
22	2171-05013-0	SPRING WASHER	4	
23	2820-00003-1	SWITCH	1	
24	3932-00008-0	SHIM	1	
25	2826-11111-2	SWITCH	1	STARTER
26	2120-10080-0	NUT	4	
27	2170-10020-0	WASHER	8	
28	2461-10001-0	CONED DISC SPRING	8	
29	2100-10035-1	BOLT	4	
30	4908-78000-0	CHECK UNIT	1	
31	3416-01089-0	BRACKET	1	
32	2182-06008-2	SCREW	4	
33	2170-06016-0	WASHER	4	
34	1402-09014-0	PANEL	1	
35	2100-08035-1	BOLT	4	
36	4701-38000-0	DAMPER	4	
37	4904-31000-0	RELAY	3	
38	4911-77000-0	FUSE BOX	1	

0411-09804-10121-0

ELECTRICAL EQUIPMENT (PANEL)

Key No.	Parts No.	Parts Name	Qty	Remarks
39	2182-06014-2	SCREW	2	
40	2170-06016-0	WASHER	2	
41	2100-06014-1	BOLT	1	
42	2171-06015-0	SPRING WASHER	1	
43	2170-06016-0	WASHER	1	
44	4912-40000-0	CONTROL BOX	1	

電装品関係 (バッテリー) ELECTRICAL EQUIPMENT (BATTERY)

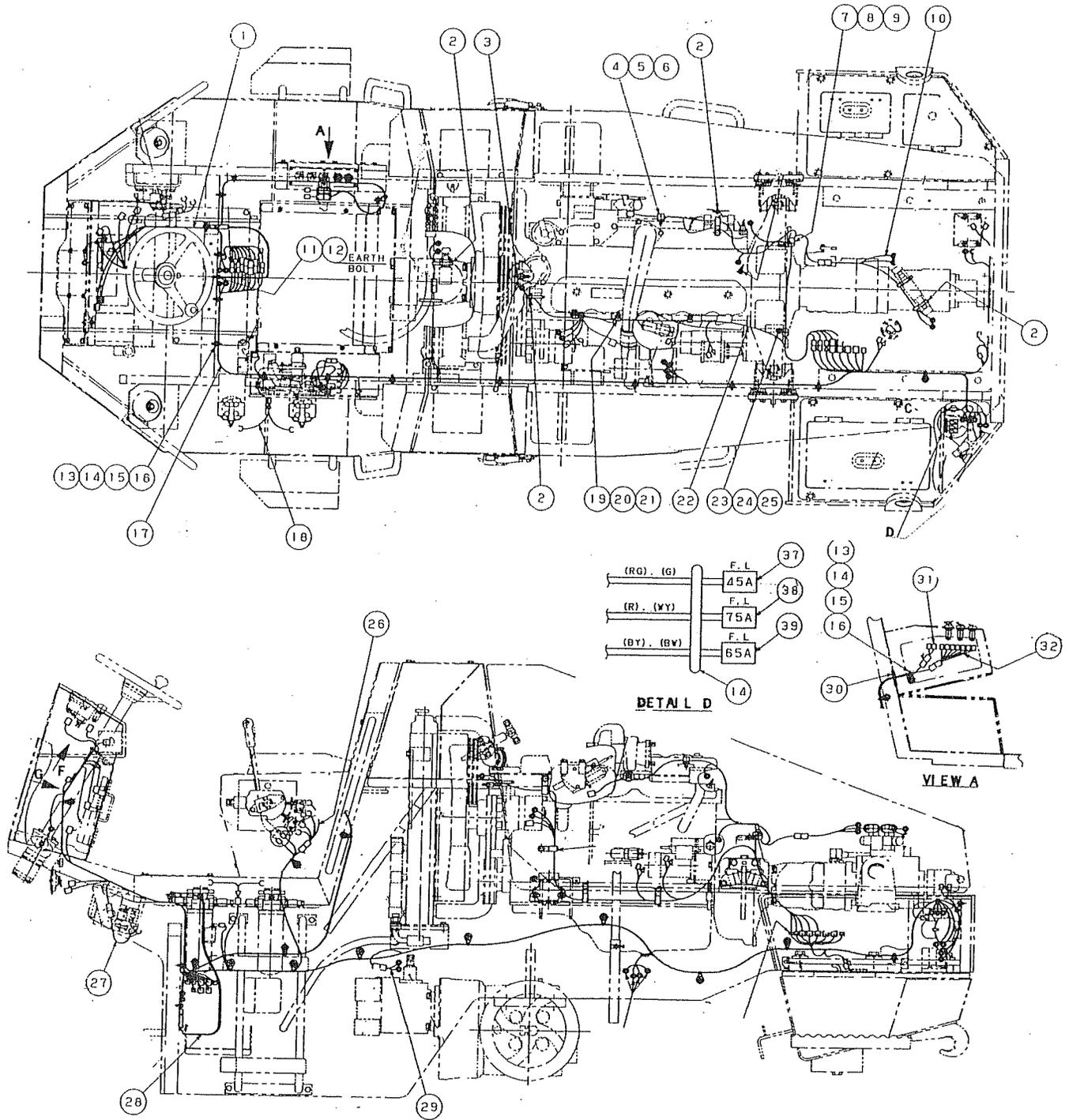


ELECTRICAL EQUIPMENT (BATTERY)

Key No.	Parts No.	Parts Name	Qty	Remarks
1	2100-08012-1	BOLT	1	
2	2171-08020-0	SPRING WASHER	1	
3	2170-08016-0	WASHER	1	
4	2100-08016-1	BOLT	4	
5	2170-08016-0	WASHER	4	
6	4710-93000-0	CLAMP	4	
7	2898-00107-0	BAND	4	
8	2100-08016-1	BOLT	4	
9	2170-80816-0	WASHER	4	
10	4911-38000-0	BUZZER	1	
11	2100-08016-1	BOLT	1	
12	2171-08020-0	SPRING WASHER	1	
13	4912-05000-0	HORN	1	
14	3899-54044-0	CORD	1	
15	2891-00001-5	TERMINAL COVER	1	
16	2891-11035-0	BATTERY CORD	1	
17	2141-10250-0	WING NUT	2	
18	2170-10020-0	WASHER	2	
19	3942-13003-0	ROD	2	
20	3899-51021-0	BATTERY CORD	1	
21	1450-09007-0	PLATE	1	
22	2890-00100-0	BATTERY	2	
23	3899-51035-0	BATTERY CORD	1	
24	1508-92032-0	BATTERY CORD	1	
25	2100-08012-1	BOLT	1	
26	2171-08020-0	SPRING WASHER	1	
27	2170-08016-0	WASHER	1	
28	2170-10020-0	WASHER	2	
29	2158-10000-0	SNAP PIN	2	
30	1402-09001-0	CUSHION	2	
31	2891-00001-5	TERMINAL COVER	2	
32	2100-08030-1	BOLT	2	
33	2171-08020-0	SPRING WASHER	2	
34	2170-08016-0	WASHER	2	
35	2891-24005-9	BATTERY RELAY	1	

0411-09801-0-10092-0

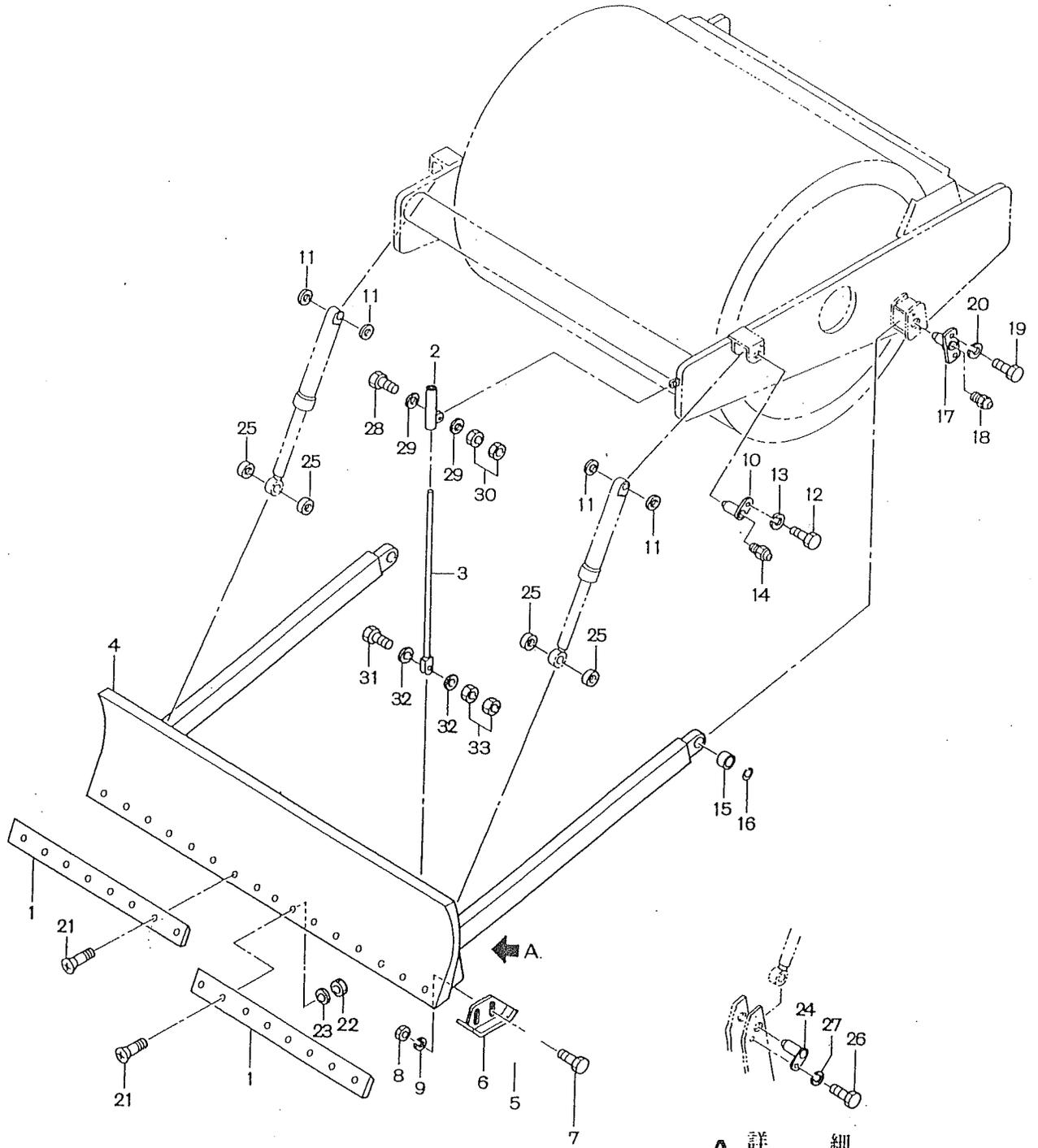
WIRING HARNESS



WIRING HARNESS

Key No.	Parts No.	Parts Name	Qty	Remarks
1	1412-09011-1	HARNESS	1	
2				
3	4910-59000-0	THERMO SENDING UNIT	1	
4	3416-02057-0	CLAMP	1	
5	2100-08016-1	BOLT	1	
6	2170-08016-0	WASHER	1	
7	3416-02061-0	CLAMP	1	
8	2100-10016-1	BOLT	1	
9	2170-10020-0	WASHER	1	
10	1402-09020-1	HARNESS	1	
11	2100-08020-1	BOLT	1	
12	2170-08016-0	WASHER	1	
13				
14				
15				
16				
17	1412-09010-1	HARNESS	1	
18	1402-09023-0	HARNESS	1	
19	3416-02061-0	CLAMP	5	
20	2101-10016-1	BOLT	5	
21	2170-10020-0	WASHER	5	
22	1412-09004-1	HARNESS	1	
23	3416-02060-0	CLAMP	1	
24	2100-08016-1	BOLT	1	
25	2170-08016-0	WASHER	1	
26	1411-09012-0	HARNESS	1	
27	1411-09008-0	CORD	1	
28	2891-00080-0	CORD	1	
29	1412-09005-1	HARNESS	1	
30	2883-04515-0	BUSH	1	
31	1412-09006-0	HARNESS	1	
32	1402-09037-0	HARNESS	1	
33	1402-09029-0	HARNESS	1	
34				
35				
36				
37	4911-33000-0	FUSE	1	* 45A
38	4912-13000-0	FUSE	1	* 75A
39	4911-34000-0	FUSE	1	* 65A

LEVELING BLADE

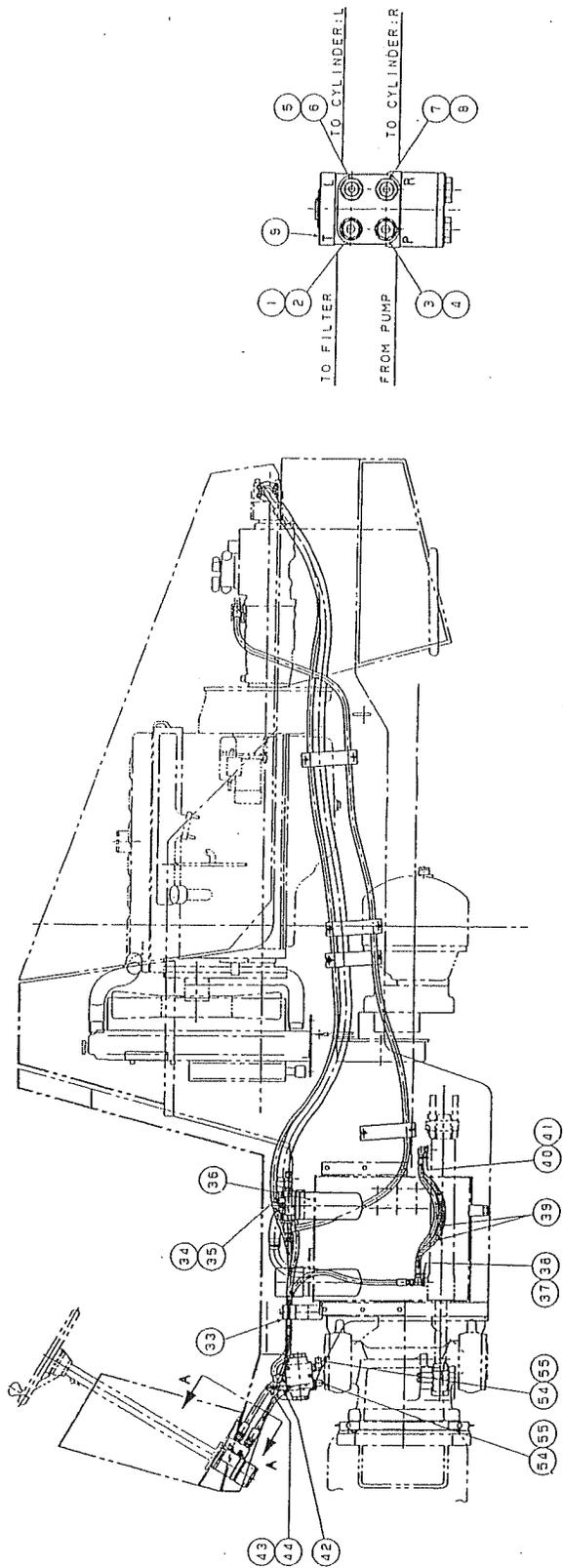
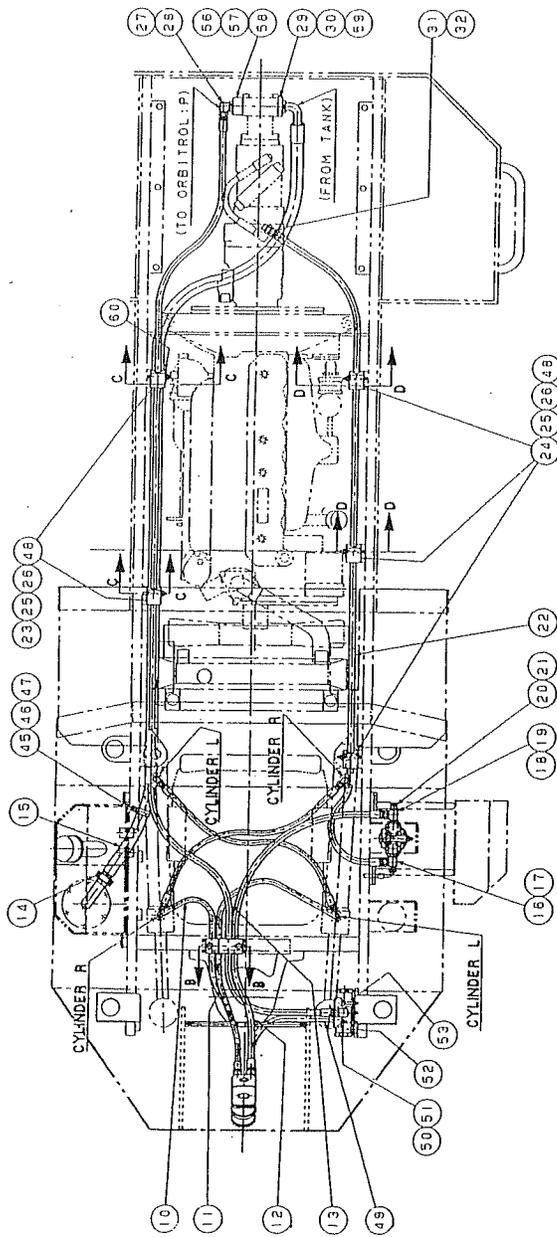


A 詳細
DETAIL

LEVELING BLADE

Key No.	Parts No.	Parts Name	Qty	Remarks
1	1521-74306-0	EDGE	2	
2	1524-47310-0	GUIDE	1	
3	1521-74301-0	BAR	1	
4	1521-74305-0	BLADE	1	
5	2171-16040-0	WASHER	4	
6	1524-74308-0	SHOE	2	
7	2100-16055-1	BOLT	4	
8	2120-16130-0	NUT	4	
9	2170-16045-2	WASHER	4	
10	1521-74303-0	PIN	2	
11	3931-12085-0	COLLAR	4	
12	2100-12025-1	BOLT	2	
13	2171-12030-0	WASHER	2	
14	2472-01001-0	NIPPLE	2	
15	2541-00050-2	BEARING	2	
16	2194-08025-1	RETAINING RING	2	
17	1521-74302-0	PIN	2	
18	2472-01001-0	NIPPLE	2	
19	2100-12025-1	BOLT	2	
20	2171-12030-0	WASHER	2	
21	3100-33015-0	BOLT	16	
22	3120-11012-0	NUT	16	
23	2170-16045-2	WASHER	16	
24	1521-74304-0	PIN	2	
25	3931-12086-0	COLLAR	4	
26	2100-12025-1	BOLT	2	
27	2171-12030-0	WASHER	2	

SV510TB



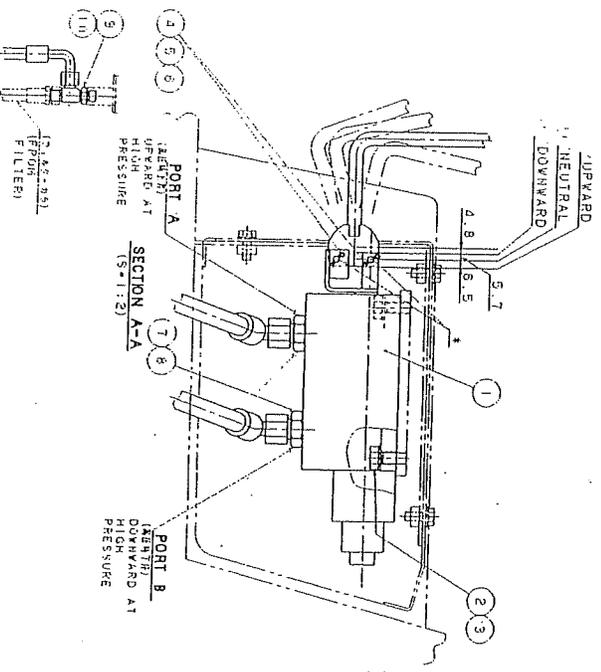
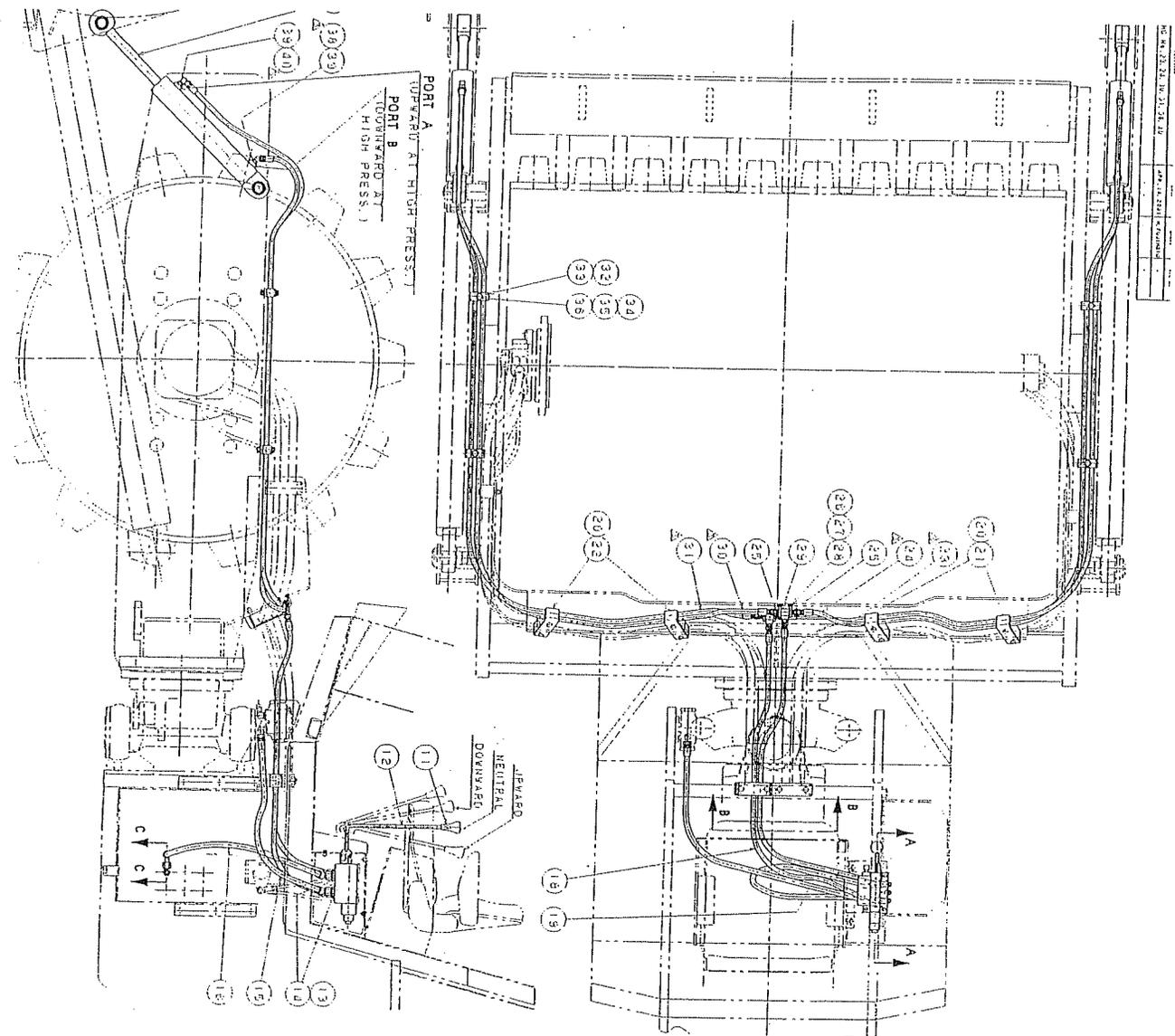
LEVELING BLADE HOSES - I

Key No.	Parts No.	Parts Name	Qty	Remarks
1	2264-19004-0	ADAPTER	1	INC.2 #1/2
2	2632-00008-0	O-RING	1	
3	2264-19004-0	ADAPTER	1	INC.4 #1/2
4	2632-00008-0	O-RING	1	
5	2264-19003-0	ADAPTER	1	INC.6 #3/8
6	2532-00008-0	O-RING	1	
7	2254-19003-0	ADAPTER	1	INC.8 #8/8
8	2632-00008-0	O-RING	1	
9	4208-74000-1	ORBITOL	1	EATON YP-T4-D
10	2301-11124-4	HOSE	1	
11	2301-11137-4	HOSE	1	
12	2301-12150-1	HOSE	1	
13	2301-12370-4	HOSE	1	
14	3291-12013-0	HOSE CLAMP	2	
15	2300-66297-1	HOSE	1	
16	3260-31099-0	ADAPTER	1	G3/4XG1/2XG1/4 INC. 17
17	2630-02024-0	O-RING	1	
18	3260-32121-0	ADAPTER	1	G3/4XG1/2X9/16-18UNF. INC 19
19	2630-02024-0	O-RING	1	
20	3215-21009-0	PLUG	1	9/16-18UNF INC.21
21	2632-00006-0	O-RING	1	
22	2301-12298-1	HOSE	1	
23	1402-32011-0	CLAMP	4	
24	1402-32010-0	CLAMP	6	
25	1402-36010-0	STUD BOLT	10	
26	2170-10020-0	WASHER	10	
27	2265-04004-3	ADAPTER	1	INC. 28
28	2630-02018-0	O-RING	1	
29	2269-12300-0	SPLIT FLANGE	1	INC. 30
30	2631-02027-0	O-RING	1	
31	2265-04004-2	ADAPTER	1	INC. 32
32	2630-02018-0	O-RING	1	
33	1402-32009-0	CLAMP	1	
34	2100-10020-1	BOLT	4	
35	2170-10020-0	WASHER	4	
36	4211-41000-0	FILTER	1	HMK-04
37	3260-31034-0	TEE	2	3-G3/8 INC.38
38	2630-02014-0	O-RING	2	

LEVELING BLADE HOSES - I

Key No.	Parts No.	Parts Name	Qty	Remarks
39	2301-11086-4	HOSE	2	
40	2265-03003-3	ADAPTER	2	INC.41
41	2630-02014-0	O-RING	2	
42	2891-00055-0	CORD	1	
43	2100-08012-1	BOLT	2	
44	2170-08016-0	WASHER	2	
45	3416-02054-0	CLAMP	1	
46	2100-08012-1	BOLT	1	
47	2170-08016-0	WASHER	1	
48	3120-01073-0	NUT	10	
49	2301-12080-4	HOSE	1	
50	3260-32028-0	ADAPTER	1	G3/4XG1/2 INC.51
51	2630-02024-0	O-RING	1	
52	4215-37000-0	VALVE	1	
53	2107-08045-3	BOLT	3	
54	2265-04004-3	ADAPTER	2	INC. 55
55	2630-02018-0	O-RING	2	
56	1404-32301-0	BLOCK	1	
57	2631-02024-0	O-RING	1	
58	2107-10040-3	BOLT	4	
59	2107-10030-3	BOLT	4	

- MEMO -



LEVELING BLADE HOSES - II

Key No.	Parts No.	Parts Name	Qty	Remarks
1	4215-36000-0	VALVE	1	
2	2100-10025-1	BOLT	3	
3	2170-10020-1	WASHER	3	
4	4205-18001-0	PIN	2	G1/2XG3/8 INC.8
5	4205-18002-0	SPLIT PIN	2	
6	2170-05010-0	WASHER	2	
7	3280-26025-0	ADAPTER	2	
8	2630-02018-0	O-RING	2	
9	3260-31092-0	ADAPTER	1	3-G1/2 INC. 10
10	2630-02018-0	O-RING	1	
11	3424-00023-0	KNOB	1	
12	1404-49301-1	LEVER	1	
13	3260-22135-0	ADAPTER	2	G3/4XG1/2 INC.14
14	2830-02024-0	O-RING	2	
15	2301-22138-4	HOSE	1	
16	2302-32155-2	HOSE	1	
17	1402-49501-0	CLAMP	1	
18	2301-21150-4	HOSE	1	
19	2301-21150-4	HOSE	1	
20	1404-49305-0	CLAMP	4	
21	1404-49306-0	CLAMP	2	
22	1404-49304-0	CLAMP	2	
23	2301-11294-4	HOSE	1	
24	2301-11333-4	HOSE	1	
25	2260-03003-0	ADAPTER	6	
26	3417-03031-0	U-BOLT	4	
27	2170-08016-0	WASHER	8	
28	3120-00093-0	U-NUT	8	
29	2224-03003-0	TEE	2	
30	2301-11333-4	HOSE	1	
31	2301-11294-4	HOSE	1	
32	3416-32001-0	CLAMP	4	
33	3934-11026-0	CLAMP	4	
34	2100-12060-1	BOLT	4	
35	2170-12025-0	WASHER	8	
36	3120-01095-0	NUT	4	M12X1.75
37	4206-90000-0	POWER CYLINDER	2	
38	2285-03003-6	ADAPTER	2	INC. 39

LEVELING BLADE HOSES - II

Key No.	Parts No.	Parts Name	Qty	Remarks
39	2630-02014-0	O-RING	4	
40	2265-03003-3	ADAPTER	2	INC. 39

INDEX

PARTS NO.	PAGE	PARTS NO.	PAGE	PARTS NO.	PAGE
0788-36003-0	14 - 1	1402-32009-0	9 - 1	1402-61056-0	21 - 1
1400-12037-0	6 - 1	1402-32009-0	34 - 1	1402-61056-0	22 - 1
1400-12037-0	7 - 1	1402-32010-0	9 - 1	1402-61092-0	23 - 1
1400-12037-0	7 - 1	1402-32010-0	34 - 1	1402-61101-0	24 - 1
1400-36001-0	13 - 1	1402-32011-0	9 - 1	1402-61102-0	24 - 1
1400-36001-0	13 - 1	1402-32011-0	34 - 1	1402-61103-0	24 - 1
1400-36013-0	14 - 1	1402-32014-0	10 - 1	1402-61116-2	23 - 1
1400-43006-0	17 - 1	1402-36004-0	14 - 2	1402-61122-0	23 - 2
1400-43006-0	18 - 1	1402-36006-0	14 - 1	1402-61131-1	23 - 1
1400-43006-0	19 - 1	1402-36007-0	14 - 2	1402-61137-0	23 - 2
1402-02002-1	2 - 1	1402-36010-0	9 - 1	1402-61148-0	23 - 2
1402-02003-0	2 - 1	1402-36010-0	9 - 1	1402-61160-1	23 - 1
1402-02004-0	2 - 1	1402-36010-0	34 - 1	1402-61161-0	23 - 1
1402-02005-0	2 - 1	1402-36302-0	13 - 1	1402-61164-0	23 - 1
1402-02005-0	2 - 1	1402-36303-0	13 - 1	1402-61165-0	23 - 3
1402-02013-1	2 - 1	1402-36303-0	16 - 1	1402-61168-0	23 - 2
1402-03009-0	3 - 1	1402-43024-0	17 - 1	1402-61169-0	23 - 2
1402-03010-0	3 - 1	1402-43024-0	18 - 1	1402-61170-0	23 - 1
1402-03011-0	3 - 1	1402-43024-0	19 - 1	1402-61172-0	23 - 2
1402-03012-0	3 - 1	1402-43027-0	17 - 2	1402-61173-0	23 - 2
1402-03013-0	3 - 1	1402-43027-0	18 - 2	1402-61183-0	23 - 1
1402-03014-0	3 - 1	1402-43027-0	19 - 2	1402-61186-0	23 - 1
1402-03015-0	3 - 1	1402-43028-0	17 - 1	1402-61187-0	23 - 1
1402-09001-0	31 - 1	1402-43028-0	18 - 1	1402-61201-0	24 - 1
1402-09003-0	30 - 1	1402-43028-0	19 - 1	1402-71002-0	27 - 1
1402-09014-0	30 - 1	1402-43029-0	17 - 1	1402-71301-0	29 - 1
1402-09016-1	30 - 1	1402-43303-0	17 - 1	1402-71501-0	28 - 1
1402-09017-0	30 - 1	1402-43303-0	18 - 1	1402-71501-0	29 - 1
1402-09020-1	32 - 1	1402-43303-0	19 - 1	1402-71503-0	28 - 1
1402-09023-0	32 - 1	1402-43304-0	17 - 1	1402-71503-1	29 - 1
1402-09029-0	32 - 1	1402-43304-0	18 - 1	1403-04002-0	4 - 1
1402-09031-0	30 - 1	1402-43304-0	19 - 1	1403-04003-1	4 - 1
1402-09032-0	30 - 1	1402-43506-2	18 - 1	1403-61026-1	23 - 1
1402-09033-0	30 - 1	1402-43508-0	19 - 2	1403-61037-1	23 - 1
1402-09034-0	30 - 1	1402-43509-2	19 - 1	1403-61039-1	23 - 3
1402-09035-0	30 - 1	1402-49501-0	35 - 1	1403-61040-1	23 - 3
1402-09037-0	32 - 1	1402-51012-1	8 - 1	1404-32301-0	34 - 2
1402-12010-0	7 - 1	1402-51013-0	8 - 2	1404-49301-1	35 - 1
1402-12013-0	6 - 1	1402-51014-0	8 - 2	1404-49304-0	35 - 1
1402-12014-0	7 - 1	1402-51015-1	8 - 1	1404-49305-0	35 - 1
1402-12017-0	7 - 1	1402-51016-0	8 - 1	1404-49306-0	35 - 1
1402-12018-0	6 - 1	1402-51017-1	8 - 1	1404-61027-0	23 - 1
1402-31003-1	26 - 1	1402-51018-0	8 - 1	1404-61028-0	23 - 2
1402-31006-0	26 - 1	1402-51023-0	8 - 1	1404-61055-0	23 - 1
1402-32002-0	11 - 1	1402-61047-1	21 - 1	1404-61056-0	23 - 1
1402-32005-0	11 - 1	1402-61047-1	22 - 1	1404-61112-0	23 - 3

INDEX

PARTS NO.	PAGE	PARTS NO.	PAGE	PARTS NO.	PAGE
1407-61808-1	23 - 1	1521-74306-0	33 - 1	2100-08020-1	23 - 2
1411-02013-0	2 - 1	1524-47310-0	33 - 1	2100-08020-1	23 - 3
1411-09002-0	30 - 1	1524-74308-0	33 - 1	2100-08020-1	32 - 1
1411-09008-0	32 - 1	1529-49002-0	16 - 1	2100-08025-1	2 - 2
1411-09012-0	32 - 1	1529-49002-0	16 - 1	2100-08030-1	31 - 1
1411-12006-0	7 - 1	1529-49002-0	16 - 2	2100-08035-1	30 - 1
1411-27001-0	20 - 1	1533-43001-1	17 - 2	2100-08050-1	7 - 1
1411-36001-0	12 - 1	1533-43001-1	18 - 2	2100-10016-1	32 - 1
1411-36007-0	12 - 1	1533-43001-1	19 - 2	2100-10020-1	3 - 1
1411-36008-0	13 - 1	1533-43004-0	17 - 2	2100-10020-1	4 - 1
1411-36009-0	13 - 1	1533-43004-0	18 - 2	2100-10020-1	4 - 1
1411-36010-0	14 - 1	1533-43004-0	19 - 2	2100-10020-1	6 - 1
1411-36011-0	14 - 2	1533-43011-0	17 - 1	2100-10020-1	7 - 1
1411-36015-0	14 - 1	1533-43011-0	18 - 1	2100-10020-1	14 - 1
1411-36016-0	13 - 1	1533-43011-0	19 - 1	2100-10020-1	23 - 1
1411-36016-0	16 - 2	1533-43012-0	17 - 1	2100-10020-1	23 - 1
1411-43002-0	17 - 1	1533-43012-0	18 - 1	2100-10020-1	23 - 1
1411-43006-0	18 - 1	1533-43012-0	19 - 1	2100-10020-1	23 - 1
1411-43006-0	19 - 1	1533-43018-0	17 - 1	2100-10020-1	23 - 1
1411-43009-0	17 - 1	1533-43018-0	18 - 1	2100-10020-1	23 - 1
1411-43009-0	18 - 1	1533-43018-0	19 - 1	2100-10020-1	23 - 2
1411-43009-0	19 - 1	2100-06010-1	23 - 3	2100-10020-1	23 - 2
1411-43010-0	17 - 1	2100-06014-1	3 - 1	2100-10020-1	34 - 1
1411-43010-0	18 - 1	2100-06014-1	30 - 2	2100-10025-1	3 - 1
1411-43010-0	19 - 1	2100-06016-1	14 - 1	2100-10025-1	3 - 1
1411-43011-1	17 - 2	2100-06030-1	7 - 1	2100-10025-1	8 - 1
1411-43011-1	18 - 2	2100-08012-1	2 - 1	2100-10025-1	8 - 2
1411-43011-1	19 - 2	2100-08012-1	2 - 1	2100-10025-1	9 - 1
1411-61013-0	21 - 1	2100-08012-1	9 - 1	2100-10025-1	10 - 1
1411-61014-0	21 - 1	2100-08012-1	9 - 1	2100-10025-1	16 - 1
1411-61014-0	22 - 1	2100-08012-1	11 - 1	2100-10025-1	26 - 1
1411-61016-0	22 - 1	2100-08012-1	23 - 2	2100-10025-1	35 - 1
1412-02003-0	2 - 2	2100-08012-1	31 - 1	2100-10030-1	5 - 1
1412-02007-0	2 - 1	2100-08012-1	31 - 1	2100-10030-1	11 - 1
1412-09004-1	32 - 1	2100-08012-1	34 - 2	2100-10035-1	30 - 1
1412-09005-1	32 - 1	2100-08012-1	34 - 2	2100-10035-3	1 - 1
1412-09006-0	32 - 1	2100-08016-1	11 - 1	2100-10040-1	5 - 1
1412-09010-1	32 - 1	2100-08016-1	23 - 2	2100-10040-1	8 - 1
1412-09011-1	32 - 1	2100-08016-1	31 - 1	2100-10040-3	8 - 1
1450-09007-0	31 - 1	2100-08016-1	31 - 1	2100-10050-1	5 - 1
1508-92032-0	31 - 1	2100-08016-1	31 - 1	2100-10050-1	5 - 1
1521-74301-0	33 - 1	2100-08016-1	32 - 1	2100-10050-3	12 - 1
1521-74302-0	33 - 1	2100-08016-1	32 - 1	2100-10060-1	5 - 1
1521-74303-0	33 - 1	2100-08020-1	2 - 2	2100-10080-1	13 - 1
1521-74304-0	33 - 1	2100-08020-1	23 - 1	2100-10080-1	16 - 1
1521-74305-0	33 - 1	2100-08020-1	23 - 2	2100-12025-1	33 - 1

INDEX

PARTS NO.	PAGE	PARTS NO.	PAGE	PARTS NO.	PAGE
2100-12025-1	33 - 1	2100-20060-3	17 - 1	2120-08065-1	14 - 1
2100-12025-1	33 - 1	2100-20060-3	17 - 1	2120-10080-0	4 - 1
2100-12030-1	14 - 1	2100-20060-3	17 - 1	2120-10080-0	5 - 1
2100-12030-1	23 - 1	2100-20060-3	17 - 1	2120-10080-0	5 - 1
2100-12030-1	23 - 1	2100-20060-3	17 - 2	2120-10080-0	5 - 1
2100-12030-1	23 - 3	2100-20060-3	18 - 1	2120-10080-0	5 - 1
2100-12030-3	23 - 2	2100-20060-3	18 - 1	2120-10080-0	5 - 1
2100-12040-3	17 - 1	2100-20060-3	18 - 1	2120-10080-0	8 - 1
2100-12040-3	17 - 1	2100-20060-3	18 - 1	2120-10080-0	8 - 1
2100-12040-3	17 - 1	2100-20060-3	18 - 2	2120-10080-0	8 - 1
2100-12040-3	17 - 2	2100-20060-3	19 - 1	2120-10080-0	8 - 1
2100-12040-3	18 - 1	2100-20060-3	19 - 1	2120-10080-0	8 - 2
2100-12040-3	18 - 1	2100-20060-3	19 - 1	2120-10080-0	11 - 1
2100-12040-3	18 - 1	2100-20060-3	19 - 1	2120-10080-0	30 - 1
2100-12040-3	18 - 2	2100-20060-3	19 - 2	2120-10080-1	1 - 1
2100-12040-3	19 - 1	2100-20080-3	17 - 1	2120-12100-0	6 - 1
2100-12040-3	19 - 1	2100-20080-3	18 - 1	2120-12100-0	7 - 1
2100-12040-3	19 - 1	2100-20080-3	19 - 1	2120-12100-0	8 - 1
2100-12040-3	19 - 2	2100-20080-3	19 - 2	2120-12100-0	23 - 1
2100-12045-3	1 - 1	2100-20090-3	17 - 2	2120-12100-0	23 - 3
2100-12060-1	8 - 2	2100-20090-3	18 - 2	2120-12100-1	1 - 1
2100-12060-1	35 - 1	2100-20090-3	19 - 2	2120-12100-2	17 - 1
2100-14040-3	14 - 2	2100-20110-3	21 - 1	2120-12100-2	17 - 1
2100-14040-3	17 - 2	2100-20110-3	22 - 1	2120-12100-2	18 - 1
2100-14040-3	18 - 2	2100-20110-3	23 - 3	2120-12100-2	18 - 1
2100-14040-3	19 - 2	2101-10016-1	32 - 1	2120-12100-2	19 - 1
2100-14045-3	12 - 1	2101-10020-1	2 - 1	2120-12100-2	19 - 1
2100-16030-1	6 - 1	2107-08045-3	34 - 2	2120-16130-0	6 - 1
2100-16030-1	7 - 1	2107-10030-3	34 - 2	2120-16130-0	7 - 1
2100-16035-1	23 - 1	2107-10040-3	34 - 2	2120-16130-0	27 - 1
2100-16040-1	27 - 1	2107-12035-3	12 - 1	2120-16130-0	28 - 1
2100-16040-1	28 - 1	2109-10038-4	16 - 1	2120-16130-0	28 - 1
2100-16040-1	29 - 1	2109-11038-4	13 - 1	2120-16130-0	29 - 1
2100-16045-3	24 - 1	2109-11038-4	13 - 1	2120-16130-0	29 - 1
2100-16055-1	33 - 1	2109-11038-4	14 - 2	2120-16130-0	29 - 1
2100-16060-3	24 - 1	2109-11063-4	14 - 1	2120-16130-0	29 - 1
2100-16080-1	27 - 1	2109-11063-4	14 - 2	2120-16130-0	33 - 1
2100-16080-3	24 - 1	2120-04032-0	30 - 1	2120-16130-2	23 - 2
2100-16090-1	28 - 1	2120-05040-0	23 - 2	2120-20160-2	17 - 2
2100-16090-1	29 - 1	2120-06050-0	3 - 1	2120-20160-2	18 - 2
2100-16110-1	29 - 1	2120-06050-0	6 - 1	2120-20160-2	19 - 2
2100-16120-1	28 - 1	2120-06050-0	7 - 1	2120-20160-2	19 - 2
2100-16120-1	29 - 1	2120-08065-0	2 - 2	2120-20160-2	20 - 1
2100-16130-1	29 - 1	2120-08065-0	11 - 1	2120-20160-2	21 - 1
2100-18060-3	1 - 1	2120-08065-0	23 - 2	2120-20160-2	22 - 1
2100-20060-3	2 - 1	2120-08065-0	26 - 1	2120-20160-2	23 - 3

INDEX

PARTS NO.	PAGE	PARTS NO.	PAGE	PARTS NO.	PAGE
2121-12100-0	1 - 1	2170-08016-0	31 - 1	2170-10020-0	31 - 1
2121-14110-0	11 - 1	2170-08016-0	31 - 1	2170-10020-0	31 - 1
2141-10250-0	31 - 1	2170-08016-0	32 - 1	2170-10020-0	32 - 1
2150-06032-0	8 - 1	2170-08016-0	32 - 1	2170-10020-0	32 - 1
2150-06045-0	17 - 1	2170-08016-0	32 - 1	2170-10020-0	34 - 1
2150-06045-0	18 - 1	2170-08016-0	34 - 2	2170-10020-0	34 - 1
2150-06045-0	19 - 1	2170-08016-0	34 - 2	2170-10020-1	35 - 1
2156-06030-0	7 - 1	2170-08016-0	35 - 1	2170-10030-1	1 - 1
2156-06030-1	6 - 1	2170-08020-1	11 - 1	2170-10030-1	2 - 1
2156-10030-0	8 - 1	2170-08020-1	23 - 1	2170-10030-1	2 - 1
2157-20015-0	7 - 1	2170-08023-2	11 - 1	2170-10030-1	2 - 1
2157-30020-0	8 - 1	2170-09016-0	6 - 1	2170-10030-1	3 - 1
2157-30020-0	8 - 1	2170-10020-0	2 - 2	2170-10030-1	5 - 1
2157-50045-0	21 - 1	2170-10020-0	3 - 1	2170-10030-1	23 - 1
2157-50045-0	22 - 1	2170-10020-0	3 - 1	2170-10030-1	26 - 1
2158-06000-0	6 - 1	2170-10020-0	4 - 1	2170-10032-2	1 - 1
2158-10000-0	31 - 1	2170-10020-0	4 - 1	2170-10032-2	11 - 1
2158-12000-0	23 - 2	2170-10020-0	5 - 1	2170-10032-2	12 - 1
2170-04008-0	30 - 1	2170-10020-0	6 - 1	2170-12025-0	8 - 2
2170-05010-0	23 - 2	2170-10020-0	7 - 1	2170-12025-0	23 - 1
2170-05010-0	35 - 1	2170-10020-0	8 - 1	2170-12025-0	23 - 1
2170-06016-0	3 - 1	2170-10020-0	8 - 1	2170-12025-0	23 - 2
2170-06016-0	6 - 1	2170-10020-0	8 - 1	2170-12025-0	23 - 3
2170-06016-0	6 - 1	2170-10020-0	8 - 1	2170-12025-0	35 - 1
2170-06016-0	7 - 1	2170-10020-0	8 - 1	2170-12030-1	6 - 1
2170-06016-0	7 - 1	2170-10020-0	8 - 2	2170-12030-1	7 - 1
2170-06016-0	7 - 1	2170-10020-0	9 - 1	2170-12032-2	1 - 1
2170-06016-0	23 - 3	2170-10020-0	9 - 1	2170-12032-2	1 - 1
2170-06016-0	30 - 1	2170-10020-0	9 - 1	2170-12032-2	14 - 1
2170-06016-0	30 - 2	2170-10020-0	10 - 1	2170-12032-2	23 - 2
2170-06016-0	30 - 2	2170-10020-0	13 - 1	2170-14045-2	12 - 1
2170-08016-0	2 - 1	2170-10020-0	13 - 1	2170-14045-2	14 - 2
2170-08016-0	2 - 1	2170-10020-0	13 - 1	2170-14045-2	17 - 2
2170-08016-0	2 - 2	2170-10020-0	14 - 1	2170-14045-2	17 - 2
2170-08016-0	7 - 1	2170-10020-0	16 - 1	2170-14045-2	18 - 2
2170-08016-0	9 - 1	2170-10020-0	16 - 1	2170-14045-2	18 - 2
2170-08016-0	9 - 1	2170-10020-0	16 - 1	2170-14045-2	19 - 2
2170-08016-0	11 - 1	2170-10020-0	16 - 2	2170-14045-2	19 - 2
2170-08016-0	14 - 1	2170-10020-0	23 - 1	2170-16045-2	23 - 2
2170-08016-0	23 - 2	2170-10020-0	23 - 1	2170-16045-2	24 - 1
2170-08016-0	23 - 2	2170-10020-0	23 - 1	2170-16045-2	24 - 1
2170-08016-0	23 - 2	2170-10020-0	23 - 1	2170-16045-2	24 - 1
2170-08016-0	23 - 3	2170-10020-0	23 - 1	2170-16045-2	27 - 1
2170-08016-0	26 - 1	2170-10020-0	23 - 2	2170-16045-2	28 - 1
2170-08016-0	31 - 1	2170-10020-0	23 - 2	2170-16045-2	28 - 1
2170-08016-0	31 - 1	2170-10020-0	30 - 1	2170-16045-2	28 - 1

INDEX

PARTS NO.	PAGE	PARTS NO.	PAGE	PARTS NO.	PAGE
2170-16045-2	29 - 1	2171-08020-0	26 - 1	2260-03003-1	14 - 1
2170-16045-2	29 - 1	2171-08020-0	31 - 1	2260-03003-2	14 - 1
2170-16045-2	29 - 1	2171-08020-0	31 - 1	2264-19003-0	9 - 2
2170-16045-2	29 - 1	2171-08020-0	31 - 1	2264-19003-0	9 - 2
2170-16045-2	33 - 1	2171-08020-0	31 - 1	2264-19003-0	34 - 1
2170-16045-2	33 - 1	2171-10025-0	11 - 1	2264-19004-0	9 - 2
2170-18016-0	23 - 2	2171-12030-0	14 - 1	2264-19004-0	9 - 2
2170-18045-2	1 - 1	2171-12030-0	33 - 1	2264-19004-0	34 - 1
2170-20045-2	19 - 2	2171-12030-0	33 - 1	2264-19004-0	34 - 1
2170-20060-2	2 - 1	2171-12030-0	33 - 1	2265-02002-2	15 - 1
2170-20060-2	17 - 1	2171-12036-1	17 - 1	2265-02002-3	15 - 1
2170-20060-2	17 - 1	2171-12036-1	17 - 1	2265-03003-2	14 - 1
2170-20060-2	17 - 1	2171-12036-1	17 - 1	2265-03003-3	9 - 2
2170-20060-2	17 - 1	2171-12036-1	17 - 2	2265-03003-3	14 - 2
2170-20060-2	17 - 1	2171-12036-1	18 - 1	2265-03003-3	34 - 2
2170-20060-2	17 - 2	2171-12036-1	18 - 1	2265-03003-3	35 - 2
2170-20060-2	17 - 2	2171-12036-1	18 - 1	2265-04004-2	9 - 1
2170-20060-2	18 - 1	2171-12036-1	18 - 2	2265-04004-2	13 - 1
2170-20060-2	18 - 1	2171-12036-1	19 - 1	2265-04004-2	16 - 1
2170-20060-2	18 - 1	2171-12036-1	19 - 1	2265-04004-2	34 - 1
2170-20060-2	18 - 1	2171-12036-1	19 - 1	2265-04004-3	34 - 1
2170-20060-2	18 - 1	2171-12036-1	19 - 2	2265-04004-3	34 - 2
2170-20060-2	18 - 2	2171-14035-0	11 - 1	2265-06006-2	14 - 1
2170-20060-2	18 - 2	2171-14042-1	12 - 1	2265-06006-3	13 - 1
2170-20060-2	19 - 1	2171-14042-1	14 - 2	2265-14002-1	15 - 1
2170-20060-2	19 - 1	2171-16040-0	33 - 1	2265-22004-1	13 - 1
2170-20060-2	19 - 1	2171-20060-1	19 - 2	2265-22004-5	16 - 1
2170-20060-2	19 - 1	2182-04012-0	30 - 1	2269-06600-0	16 - 1
2170-20060-2	19 - 1	2182-05008-2	30 - 1	2269-10600-0	13 - 1
2170-20060-2	19 - 2	2182-05010-3	2 - 1	2269-10600-0	13 - 1
2170-20060-2	19 - 2	2182-05012-2	23 - 2	2269-10600-0	14 - 2
2170-20060-2	20 - 1	2182-06008-2	30 - 1	2269-12300-0	34 - 1
2170-20060-2	21 - 1	2182-06012-2	2 - 1	2285-03003-6	35 - 1
2170-20060-2	22 - 1	2182-06014-2	30 - 2	2291-00016-0	2 - 1
2170-20060-2	23 - 3	2194-03015-0	8 - 1	2291-00016-0	2 - 1
2170-22060-2	6 - 1	2194-03515-0	8 - 2	2291-00016-0	2 - 2
2170-22060-2	7 - 1	2194-08025-1	33 - 1	2291-00016-0	2 - 2
2170-80816-0	31 - 1	2215-02001-2	15 - 1	2291-00016-0	2 - 2
2171-05013-0	2 - 1	2215-06001-2	14 - 2	2291-00055-0	3 - 1
2171-05013-0	23 - 2	2215-10001-2	17 - 1	2291-00065-0	3 - 1
2171-05013-0	30 - 1	2215-10001-2	18 - 1	2291-00071-0	3 - 1
2171-06015-0	14 - 1	2215-10001-2	19 - 1	2291-00090-0	4 - 1
2171-06015-0	30 - 2	2215-14001-1	17 - 2	2291-00118-0	4 - 1
2171-08020-0	2 - 2	2224-03003-0	35 - 1	2293-09060-5	2 - 2
2171-08020-0	2 - 2	2254-19003-0	34 - 1	2293-09105-5	2 - 1
2171-08020-0	23 - 2	2260-03003-0	35 - 1	2293-09148-5	2 - 1

INDEX

PARTS NO.	PAGE	PARTS NO.	PAGE	PARTS NO.	PAGE
2293-09152-5	2 - 1	2460-01042-0	11 - 1	2630-02018-0	9 - 1
2300-16284-1	9 - 1	2461-10001-0	30 - 1	2630-02018-0	13 - 1
2300-66297-1	34 - 1	2472-01001-0	7 - 1	2630-02018-0	16 - 1
2301-10100-2	15 - 1	2472-01001-0	10 - 1	2630-02018-0	34 - 1
2301-10146-2	15 - 1	2472-01001-0	33 - 1	2630-02018-0	34 - 1
2301-11086-4	9 - 2	2472-01001-0	33 - 1	2630-02018-0	34 - 2
2301-11086-4	34 - 2	2472-01002-0	24 - 1	2630-02018-0	35 - 1
2301-11124-4	9 - 1	2472-01002-0	24 - 1	2630-02018-0	35 - 1
2301-11124-4	34 - 1	2472-01003-0	8 - 2	2630-02024-0	9 - 1
2301-11137-4	9 - 1	2472-01003-0	10 - 1	2630-02024-0	9 - 1
2301-11137-4	34 - 1	2472-02001-0	24 - 1	2630-02024-0	9 - 1
2301-11294-4	35 - 1	2513-32026-2	17 - 1	2630-02024-0	13 - 1
2301-11294-4	35 - 1	2513-32026-2	18 - 1	2630-02024-0	14 - 1
2301-11333-4	35 - 1	2513-32026-2	19 - 1	2630-02024-0	14 - 1
2301-11333-4	35 - 1	2532-00008-0	34 - 1	2630-02024-0	14 - 2
2301-12080-4	34 - 2	2541-00050-2	33 - 1	2630-02024-0	14 - 2
2301-12115-1	16 - 1	2552-00204-0	8 - 1	2630-02024-0	16 - 1
2301-12150-1	9 - 1	2580-08006-1	23 - 2	2630-02024-0	16 - 1
2301-12150-1	34 - 1	2580-22020-1	6 - 1	2630-02024-0	34 - 1
2301-12284-1	9 - 1	2580-22030-1	7 - 1	2630-02024-0	34 - 1
2301-12298-1	34 - 1	2580-30040-1	8 - 1	2630-02024-0	34 - 2
2301-12352-2	16 - 1	2580-35040-1	8 - 2	2630-02029-0	9 - 1
2301-12356-4	9 - 1	2598-18000-0	6 - 1	2630-02029-0	14 - 1
2301-12370-2	13 - 1	2598-18000-0	7 - 1	2630-02029-0	14 - 1
2301-12370-4	34 - 1	2603-04624-0	17 - 2	2630-02029-0	17 - 1
2301-14120-1	14 - 1	2603-04624-0	18 - 2	2630-02029-0	18 - 1
2301-21150-4	35 - 1	2603-04624-0	19 - 2	2630-02029-0	19 - 1
2301-21150-4	35 - 1	2603-04983-0	17 - 1	2631-02004-0	13 - 1
2301-22138-4	35 - 1	2603-04983-0	18 - 1	2631-02004-0	13 - 1
2301-30060-2	15 - 1	2603-04983-0	19 - 1	2631-02004-0	14 - 2
2301-30124-2	15 - 1	2630-01100-1	17 - 2	2631-02019-0	16 - 1
2301-30200-2	15 - 1	2630-01100-1	18 - 2	2631-02024-0	14 - 1
2301-32069-1	16 - 1	2630-01100-1	19 - 2	2631-02024-0	14 - 2
2301-32306-1	16 - 1	2630-01112-0	24 - 1	2631-02024-0	34 - 2
2301-34166-1	14 - 1	2630-02011-0	15 - 1	2631-02027-0	34 - 1
2301-74588-6	16 - 1	2630-02011-0	15 - 1	2632-00004-0	16 - 1
2301-74588-6	16 - 1	2630-02011-0	15 - 1	2632-00006-0	9 - 1
2302-32155-2	35 - 1	2630-02011-0	15 - 1	2632-00006-0	15 - 1
2304-14188-1	14 - 1	2630-02011-0	15 - 1	2632-00006-0	34 - 1
2402-43170-5	6 - 1	2630-02014-0	9 - 2	2632-00008-0	9 - 2
2404-06030-0	6 - 1	2630-02014-0	9 - 2	2632-00008-0	9 - 2
2404-10043-4	8 - 1	2630-02014-0	14 - 1	2632-00008-0	9 - 2
2404-10043-5	8 - 1	2630-02014-0	14 - 2	2632-00008-0	9 - 2
2405-06030-0	7 - 1	2630-02014-0	34 - 1	2632-00008-0	34 - 1
2405-12050-0	8 - 1	2630-02014-0	34 - 2	2632-00008-0	34 - 1
2422-50001-1	30 - 1	2630-02014-0	35 - 2	2632-00008-0	34 - 1

INDEX

PARTS NO.	PAGE	PARTS NO.	PAGE	PARTS NO.	PAGE
2632-00010-0	13 - 1	3120-00070-0	7 - 1	3260-65028-0	14 - 2
2632-00010-0	16 - 1	3120-00093-0	35 - 1	3260-65066-0	16 - 1
2632-00012-0	14 - 1	3120-01062-0	8 - 1	3260-65067-0	16 - 1
2632-00012-0	14 - 2	3120-01073-0	8 - 1	3280-26025-0	35 - 1
2632-00012-0	14 - 2	3120-01073-0	8 - 1	3291-12013-0	9 - 1
2632-00012-0	16 - 1	3120-01073-0	9 - 1	3291-12013-0	34 - 1
2632-00012-0	16 - 1	3120-01073-0	9 - 1	3292-10041-0	2 - 2
2632-00016-0	16 - 1	3120-01073-0	13 - 1	3292-10041-0	2 - 2
2820-00003-1	30 - 1	3120-01073-0	13 - 1	3380-01019-0	14 - 1
2826-11111-2	30 - 1	3120-01073-0	16 - 1	3400-33020-0	7 - 1
2828-00002-1	30 - 1	3120-01073-0	16 - 2	3403-01017-0	6 - 1
2828-00004-1	30 - 1	3120-01073-0	34 - 2	3403-01017-0	7 - 1
2828-01001-2	30 - 1	3120-01095-0	8 - 2	3403-14030-0	8 - 1
2828-01002-2	30 - 1	3120-01095-0	35 - 1	3416-01089-0	30 - 1
2830-02024-0	35 - 1	3120-11012-0	33 - 1	3416-02001-1	2 - 1
2883-04515-0	32 - 1	3156-23030-0	21 - 1	3416-02001-1	2 - 1
2890-00100-0	31 - 1	3156-23030-0	22 - 1	3416-02054-0	9 - 1
2891-00001-5	31 - 1	3180-20020-0	30 - 1	3416-02054-0	34 - 2
2891-00001-5	31 - 1	3180-20023-0	7 - 1	3416-02057-0	32 - 1
2891-00055-0	9 - 1	3201-20008-0	2 - 2	3416-02060-0	32 - 1
2891-00055-0	34 - 2	3215-02009-1	2 - 1	3416-02061-0	32 - 1
2891-00080-0	32 - 1	3215-20007-0	16 - 1	3416-02061-0	32 - 1
2891-11035-0	31 - 1	3215-21009-0	9 - 1	3416-02099-0	5 - 1
2891-24005-9	31 - 1	3215-21009-0	34 - 1	3416-16123-0	5 - 1
2898-00007-0	2 - 1	3260-22119-0	14 - 1	3416-32001-0	35 - 1
2898-00103-0	15 - 1	3260-22135-0	35 - 1	3416-32048-0	13 - 1
2898-00107-0	14 - 1	3260-30035-0	15 - 1	3417-03031-0	35 - 1
2898-00107-0	31 - 1	3260-31034-0	9 - 1	3417-04006-1	14 - 1
2932-00150-0	17 - 2	3260-31034-0	34 - 1	3417-06022-0	11 - 1
2932-00150-0	18 - 2	3260-31092-0	35 - 1	3424-00023-0	6 - 1
2932-00150-0	19 - 2	3260-31099-0	9 - 1	3424-00023-0	35 - 1
2948-00002-0	8 - 1	3260-31099-0	34 - 1	3460-05002-0	5 - 1
3100-00064-0	2 - 1	3260-32022-0	9 - 1	3460-05002-0	5 - 1
3100-00064-0	2 - 1	3260-32022-0	16 - 1	3479-02005-0	17 - 2
3100-00084-0	2 - 1	3260-32022-0	16 - 1	3479-02005-0	18 - 2
3100-02062-0	8 - 1	3260-32024-0	9 - 1	3479-02005-0	19 - 2
3100-02062-0	8 - 2	3260-32028-0	34 - 2	3511-32018-0	24 - 1
3100-07107-0	13 - 1	3260-32054-0	14 - 1	3511-43003-3	17 - 1
3100-07107-0	16 - 1	3260-32054-0	14 - 2	3511-43003-3	18 - 1
3100-13207-0	17 - 2	3260-32065-0	14 - 1	3511-43003-3	19 - 1
3100-13207-0	18 - 2	3260-32121-0	9 - 1	3630-18018-0	17 - 1
3100-13207-0	19 - 2	3260-32121-0	34 - 1	3630-18018-0	18 - 1
3100-33015-0	33 - 1	3260-35133-0	15 - 1	3630-18018-0	19 - 1
3100-53014-0	15 - 1	3260-55037-0	16 - 1	3630-18038-0	17 - 1
3100-82001-0	12 - 1	3260-63074-0	14 - 2	3630-18038-0	18 - 1
3120-00070-0	6 - 1	3260-65028-0	14 - 1	3630-18038-0	19 - 1

INDEX

PARTS NO.	PAGE	PARTS NO.	PAGE	PARTS NO.	PAGE
3680-11006-0	2 - 1	4206-90000-0	35 - 1	4710-36000-0	23 - 2
3681-12050-0	14 - 1	4207-79000-0	14 - 2	4710-81000-0	23 - 2
3823-20004-0	7 - 1	4208-74000-1	34 - 1	4710-87000-0	23 - 2
3823-20004-0	8 - 2	4211-41000-0	9 - 1	4710-92000-0	5 - 1
3899-51021-0	31 - 1	4211-41000-0	34 - 1	4710-93000-0	31 - 1
3899-51035-0	31 - 1	4211-41000-1	16 - 1	4710-94001-0	26 - 1
3899-54044-0	31 - 1	4215-36000-0	35 - 1	4710-94002-0	26 - 1
3910-03025-0	8 - 1	4215-37000-0	34 - 2	4710-95000-1	23 - 2
3910-21001-0	6 - 1	4216-44000-0	12 - 1	4713-34000-0	26 - 1
3910-21001-0	7 - 1	4216-45000-0	13 - 1	4904-31000-0	30 - 1
3931-00043-0	23 - 3	4216-46000-0	9 - 2	4904-60000-0	30 - 1
3931-04253-0	7 - 1	4216-47000-0	14 - 2	4908-78000-0	30 - 1
3931-10149-0	8 - 2	4216-48000-0	16 - 1	4910-38000-0	30 - 1
3931-12085-0	33 - 1	4216-49000-0	10 - 1	4910-59000-0	32 - 1
3931-12086-0	10 - 1	4400-84007-0	4 - 1	4911-33000-0	32 - 1
3931-12086-0	33 - 1	4404-16000-0	4 - 1	4911-34000-0	32 - 1
3932-00008-0	30 - 1	4407-61001-0	20 - 1	4911-38000-0	31 - 1
3934-02395-0	27 - 1	4407-80000-0	1 - 1	4911-77000-0	30 - 1
3934-02395-0	28 - 1	4411-91003-0	3 - 1	4912-05000-0	31 - 1
3934-02395-0	29 - 1	4413-09000-0	1 - 1	4912-13000-0	32 - 1
3934-02395-0	29 - 1	4413-88000-1	11 - 1	4912-40000-0	30 - 2
3934-02395-0	29 - 1	4413-88004-0	11 - 1		
3934-02644-0	27 - 1	4415-26000-0	20 - 1		
3934-02645-0	23 - 1	4416-56000-1	7 - 1		
3934-11026-0	35 - 1	4416-88000-0	3 - 1		
3934-12078-0	13 - 1	4416-90000-0	11 - 1		
3934-12078-0	16 - 1	4416-91000-0	4 - 1		
3938-05063-0	2 - 1	4417-01000-0	5 - 1		
3942-10141-0	8 - 1	4417-02000-0	5 - 1		
3942-11160-1	8 - 1	4417-05000-0	2 - 1		
3942-13003-0	31 - 1	4417-15000-0	24 - 1		
3951-02023-0	10 - 1	4418-02000-0	12 - 1		
3956-00004-0	21 - 1	4418-03000-0	12 - 1		
3956-00004-0	22 - 1	4418-53001-0	4 - 1		
4029-77007-0	2 - 2	4418-53002-0	4 - 1		
4029-89005-0	5 - 1	4418-68000-0	20 - 1		
4030-46000-0	1 - 1	4418-68001-0	20 - 1		
4030-65000-0	3 - 1	4418-69000-0	20 - 1		
4030-67001-0	5 - 1	4418-98000-0	2 - 2		
4202-59001-0	2 - 1	4701-38000-0	30 - 1		
4203-59000-0	2 - 1	4703-14000-0	7 - 1		
4203-81007-0	10 - 1	4703-14000-0	8 - 2		
4204-54000-0	14 - 1	4703-14000-0	10 - 1		
4205-18001-0	35 - 1	4703-14000-0	24 - 1		
4205-18002-0	35 - 1	4703-29000-0	23 - 2		
4206-67000-0	15 - 1	4703-34000-0	23 - 1		



SAKAI HEAVY INDUSTRIES, LTD.